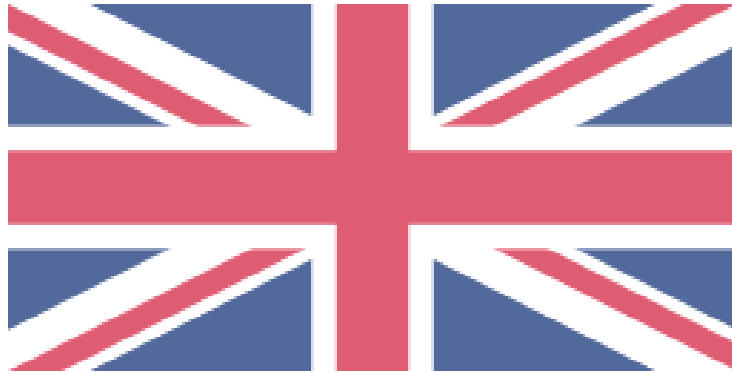




Ellesse-R - Electric Fire Range  
Operating Instructions for the  
Remote-Control Handset





## **MADE IN BRITAIN**

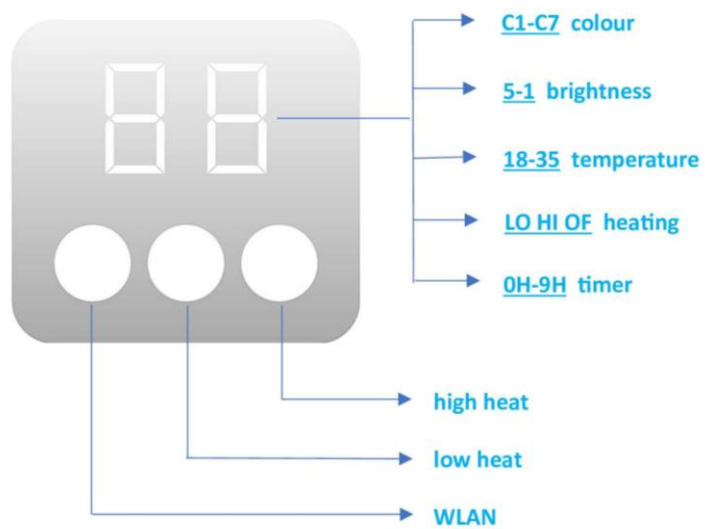
*Thank you for purchasing your Nu-Flame electric fire!*

*Your choice has directly supported British manufacturing and jobs: all our fires are responsibly and ethically designed, manufactured and tested by us in our state-of-the-art factory in Surrey.*

 remote-control handset



 digital information screen





## power on & off

- *The current room temperature °C will be displayed on the digital information screen for 20 seconds when the appliance is switched on by the remote-control handset.*

1. Switch **on** the mains power to the appliance.
2. Switch **on** the on/off rocker switch and the appliance will emit an audible beep.



On/Off rocker switch is tucked away at the top of the front glass panel, behind the surround or face of fire cutout

3. Press the **power on & off** once to switch **on** the appliance and the flame effect, underbed and down lighting will illuminate.
4. Press the **power on & off** once to switch **off** and all lighting and heating will switch off.



## brightness and colour function

- *When adjusting the brightness and colour functions the selected setting will flash for 5 seconds on the digital information screen before being set; the digital information screen will then revert to display the current room temperature °C for 20 seconds.*

1. Press the **brightness & colour function** once to activate the **brightness function** and the current setting will flash on the digital information screen.
2. Use the **function adjustment** to select the **brightness** of the flame effect and underbed lighting from 5 preset levels: 1 (*dimmest*), 2, 3, 4, 5 (*brightest*).
3. Press the **brightness & colour function** twice to activate the **colour function** and the current setting will flash on the digital information screen.
4. Use the **function adjustment** to select the **colour** of the flame effect and underbed lighting from 7 preset colours: C1, C2, C3, C4, C5, C6, C7.



## heating function

### **Do not leave the appliance unattended when the heater is operating!**

- When the heating function is selected the thermostat will continually monitor the room temperature and automatically control the operation of the heater fan to maintain the set temperature.
- **If the set temperature is higher than the room temperature** the heater fan will automatically switch on. Once the set temperature is reached the heater fan will continue for 3 minutes before automatically switch off. The heater fan will restart when the room temperature drops below the set temperature.
- **If the set temperature is lower than the room temperature** the heater fan will automatically switch on for 3 minutes before automatically switching off. The heater fan will restart when the room temperature drops below the set temperature.
- The temperature reading may vary slightly between the actual room temperature and that of the appliance thermostat and it may be necessary to adjust the set temperature accordingly.
- **Open Window Detection:** If the room temperature falls below 5 °C within 3 minutes while the heater fan is operating and does not rise within 7 minutes the thermostat automatically assumes that a window is open. To save energy the heating function will automatically switch off and the appliance will emit an audible beep: E4 will display on the digital information screen: switch the appliance off and wait 10 minutes before switching the appliance on to clear.
- When adjusting the heater function the selected setting will flash for 5 seconds before being set; the digital screen will then revert to display the current room temperature °C for 20 seconds.
- The selected heating function settings will be retained when the appliance is switched off by the remote-control handset.

1. Press the **heater function once** and the current heater status will flash on the digital information screen.
2. Use the **function adjustment** to select;  
**low heating:** Lo + 1 red LED will be displayed on the digital information screen.  
**high heating:** HI + 2 red LEDs will be displayed on the digital information screen.  
**off:** OF + 1 blue LED will be displayed on the digital information screen.
3. Press the **heater function twice** to activate the **required room temperature function** and the current setting in °C will flash on the digital information screen.
4. Use the **function adjustment** to set the **required room temperature** in 1°C increments: 18°C, 19°C, 20°C, 21°C, 22°C, 23°C, 24°C, 25°C, 26°C, 27°C, 28°C, 29°C, 30°C, 31°C, 32°C, 33°C, 34°C, 35°C.



## timer function

- *This function allows you to set the time until the appliance switches off automatically.*
  - *When the selected timer finishes all lighting and heating will automatically switch off.*
  - *When adjusting the timer function the selected setting will flash for 5 seconds before being set; the digital information screen will then revert to display the current room temperature °C for 20 seconds.*
1. Press the **timer function** once and the 1 hour timer setting (**1H**) will flash on the digital information screen.
  2. Use the **function adjustment** to select the required **timer** in 1 hour increments: 1H, 2H, 3H, 4H, 5H, 6H, 7H, 8H, 9H, 0H (Off).
  3. To **cancel** the timer set it to 0 hours (**0H**).

### ***Please Note***

*If the timer function is pressed twice 'F1' will flash on the digital information screen. If the timer function is pressed 3 times '52' will flash on the digital information screen. These are redundant features and adjusting the settings will not alter any features of the appliance.*



## Problem Solving

### Q. my appliance isn't responding to the remote-control handset

- Ensure the mains power is on and the rocker switch is in the on position.
- Check and replace as necessary the remote-control handset batteries (2 x AAA/LR03).

### Q. the heater is not emitting any heat or switches off after a period of time

- Ensure that the set temperature of your Nu-Flame electric fire is not set lower than the indoor temperature: increase the set temperature.
- Check that the open window detection has not activated: error code E4 will be displayed on the digital information screen: switch the appliance off and wait for 10 minutes before switching the appliance on.

### Q. my appliance completely switches off after a period of time

- Ensure that the timer function isn't set to automatically switch off.
- Set timer function to 0 hours (0H).



## Notes

---

---

---

---

---

---

---



nu-flame ltd . unit 4 kimpton trade & business centre . minden road . sutton . surrey . sm3 9pf  
020 8254 6802      www.nu-flame.co.uk      technical@nu-flame.co.uk



ELLESSE-R ELECTRIC FIRE RANGE

USER AND INSTALLATION INSTRUCTIONS

**KEEP FOR FUTURE REFERENCE**

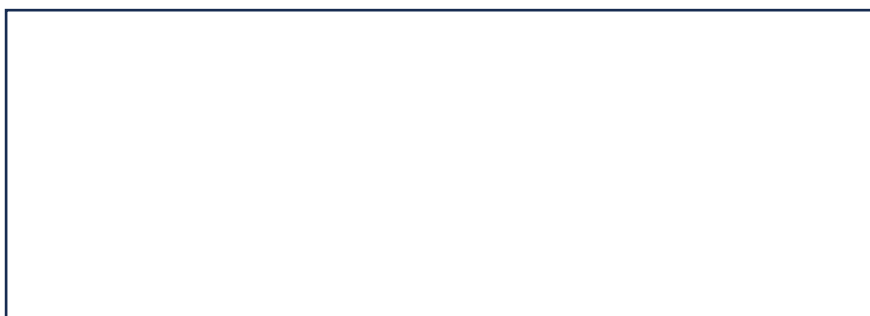


PLEASE READ THESE INSTRUCTIONS BEFORE INSTALLATION AND USE  
THE APPLIANCE SHOULD ONLY BE INSTALLED BY AN APPROPRIATELY COMPETENT PERSON

**Pages 1 - 14 refer to all installations**

**Pages 15 onwards detail the installation requirements for specific applications  
*Hole in the Wall, Media Wall, Fireplace Installation etc***

### **DUPLICATE DATA PLATE**



The data plate for the fire is within the fire casing and is only accessible by a properly qualified person. For your convenience a duplicate data plate is below. Please keep this information safe as it will be required if you need to contact Nu-Flame for any reason regarding your fire.



## **SAFETY WARNINGS**

- This appliance can be used by children aged from 8 years and above and persons with reduced physical, sensory or mental capabilities or lack of experience and knowledge if they have been given supervision or instruction concerning use of the appliance in a safe way and understand the hazards involved.
- Children shall not play with the appliance.
- Cleaning and user maintenance shall not be made by children without supervision.
- This appliance is fitted with a supply cord and a plug. If the plug is removed another means for disconnection from the supply mains having a contact separation in all poles MUST be provided/ incorporated in the fixed wiring in accordance with the wiring rules.
- If the supply cord is damaged it MUST be replaced by the manufacturer or their service agent in order to avoid a hazard.
- Do NOT cover the appliance.
- **WARNING:** In order to avoid overheating, do not cover the heater.
- The appliance shall be disconnected from its power source during service and when replacing parts.
- Do not locate the heater immediately below a socket-outlet.
- Children of less than 3 years should be kept away unless continuously supervised.
- Children aged from 3 years and less than 8 years shall only switch on/off the appliance provided that it has been placed or installed in its intended normal operating position and they have been given supervision or instruction concerning using the appliance in a safe way and understand the hazards involved. Children aged from 3 years and less than 8 years shall not plug in, regulate and clean the appliance or perform user maintenance.

### ***DISC MAGNET WARNING***

***Some parts of this product are held in position with small disc magnets. Once the product is installed these magnets are inaccessible unless the product is disassembled or partially disassembled.***

***Small disc magnets pose a choking hazard and should never be swallowed or inserted into any part of the body.***

***If more than one magnet is swallowed, they can attract each other through the walls of the intestines, get stuck and pinch the digestive tract causing major swelling and even life-threatening injuries requiring surgery.***

***If dismantling the product, make sure that any disc magnets that you remove are accounted for and kept out of reach of children.***

## **INSTALLATION INSTRUCTIONS**

- 1) The appliance must be earthed.
- 2) Only for indoor use and not to be installed adjacent to a bath, shower or swimming pool.
- 3) We recommend hard wiring via a 13 amp, 240 volt switched fused spur positioned accessible and adjacent to the fire. A means of isolating the fire must be provided.
- 4) Do not install if the product is damaged.
- 5) Do not use this appliance in series with an external thermal control, a program controller, a timer or any device that switches on the heat automatically since a fire risk exists when the appliance is accidentally covered.
- 6) Ensure that furniture, curtains or other combustible materials are positioned no closer than 60cm to the actual glass front of the actual fire.
- 7) Must only be installed by a suitably qualified person.
- 8) The following clearances must be adhered to:
  - i) The back must have a minimum of 10mm clearance at the back of the rear strengthening bar.
  - ii) The feet must be left on to give a minimum of 10mm clearance underneath.
- 9) The fire must be perfectly level, by adjusting the feet. If the appliance is twisted the glass will not fit properly and the fire will not perform properly.
- 10) When the fire is being installed into an existing chimney, it is imperative that the chimney is blocked off completely otherwise it may cause the heater to keep cutting out. This is because the pull of the chimney can overcome the heater fan.
- 11) Please leave these instructions with the appliance.

## **CLEANING & MAINTENANCE**

1. Dust and pet hairs can get drawn into the heater fan assembly and if this happens the fire will need servicing and the fan & heater assembly removed and vacuumed out. This must be done by a suitably qualified person. Keep the intake air vents on top, at the left & right sides in front of the glass, clear of dust as it will help avoid the problem.

## **CAUTION**

1. Some parts of this product become very hot when low or high heat are selected and can cause burns. Particular attention must be given where children and vulnerable people are present. In this case we recommend removing the remote-control handset and turning off the electrical supply to the fire.
2. Product repairs should only be undertaken by a suitably qualified person using only spare parts obtainable from the manufacturer. Together with the necessary technical instruction manual, including wiring diagram.
3. This product must be disposed of at a council recycling centre at the end of its life and not in the household rubbish.
4. Do not cover the fire at any time as the heater will ignite any covering and cause fire, as the heat comes on and off with the thermostat.
5. The thermal cut out will automatically turn off the heater elements and the fan if it exceeds the temperature parameters. This is usually due to lack of air over the heaters (see items 8 & 10 in installation instructions above) or a fan problem. If this occurs turn the supply to the fire off and allow to cool for 10 minutes before turning the appliance on. Seek expert advice if the problem persists.
6. Maintenance: Glass to be cleaned with glass cleaner (not abrasives). Metal work to be cleaned with a damp cloth. Vacuum any fluff or dust from vents.

7. Guarantee: The appliance is guaranteed for 1 year from the date of purchase against faulty materials or workmanship. Ellesse-R Electric Fires purchase via our authorised dealer network can have the guarantee extended by an extra year by registering online at [www.nu-flame.co.uk/electric-fires-warranty](http://www.nu-flame.co.uk/electric-fires-warranty) within 30 days of purchase. The guarantee does not cover reimbursement of any third-party repair or replacements costs, nor does it cover compensation or consequential losses. The guarantee is subject to the provisions that the appliance has been correctly installed and used in accordance with these instructions and has not been misused, modified or inexpertly installed or repaired. Your statutory rights are not affected.



Waste Electrical and Electronic products should not be disposed of in the household waste. Please recycle where facilities exist. Check with your local authority for recycling advice.

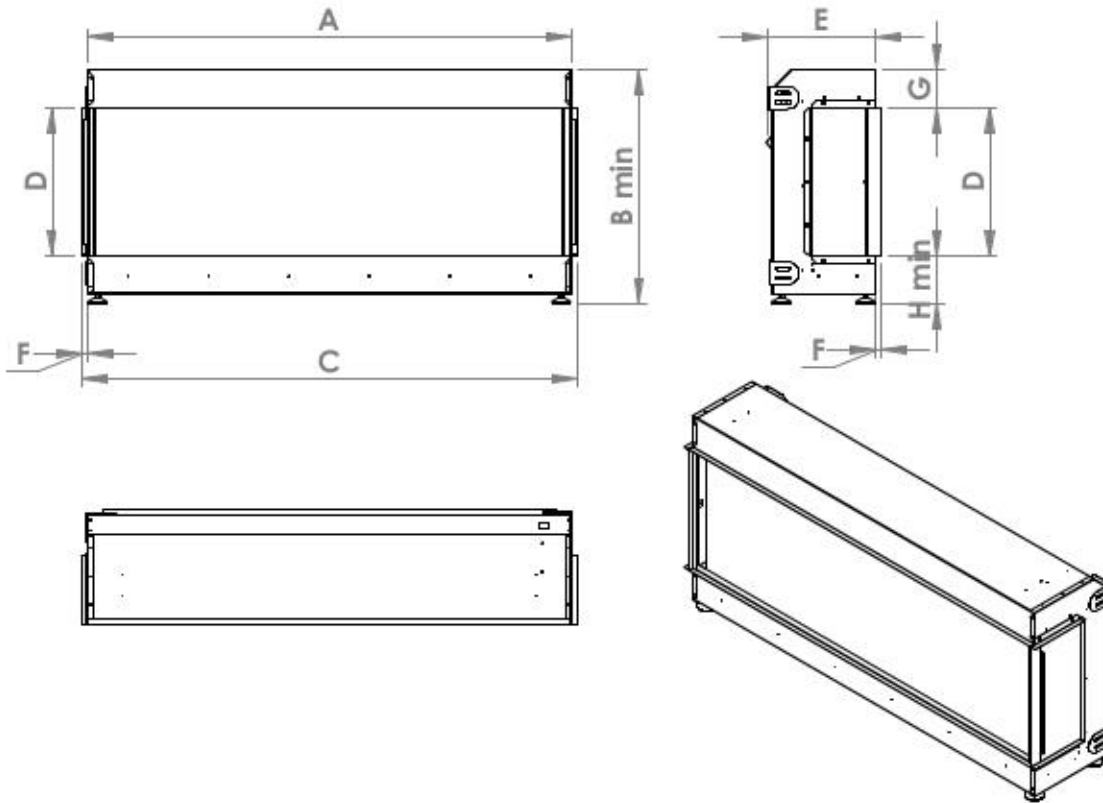
### TECHNICAL INFORMATION / REQUIREMENTS

#### ELLESSE-R ELECTRIC FIRE RANGE

<b>Model Identifier</b>		<b>LS800</b>	<b>PR800</b>	<b>LS1200</b>	<b>LS1700</b>
240V ~ 50Hz	Symbol	kW	kW	kW	kW
<b>Heat Output</b>					
Nominal Heat Output	P nom	1.7	1.7	1.7	1.7
Nominal Heat Output (Indicative)	P min	0.75	0.75	0.75	0.75
Maximum Continuous Heat Output	P max, c	1.5	1.5	1.5	1.5
<b>Auxiliary Heat Consumption</b>					
At Nominal Heat	el max	1.5	1.5	1.5	1.5
At Minimum Heat	el min	0.75	0.75	0.75	0.75
In Standby (W)	el SB	0.387			
<b>Type Of Heat Room Temperature Control</b>					
With Distance Control Option					No
Room Temperature Control With Open Window Detection					No
Adaptive Start					No
With Electronic Room Control Plus Week Timer					Yes
<b>Contact:</b> Nu-Flame Ltd SM3 9PF UK <a href="http://www.nu-flame.co.uk">www.nu-flame.co.uk</a>					

<b>Remote Control Operating Frequency</b>	2402MHz – 2480MHz
<b>Remote Control Maximum Transmitted Power</b>	2.62dBm

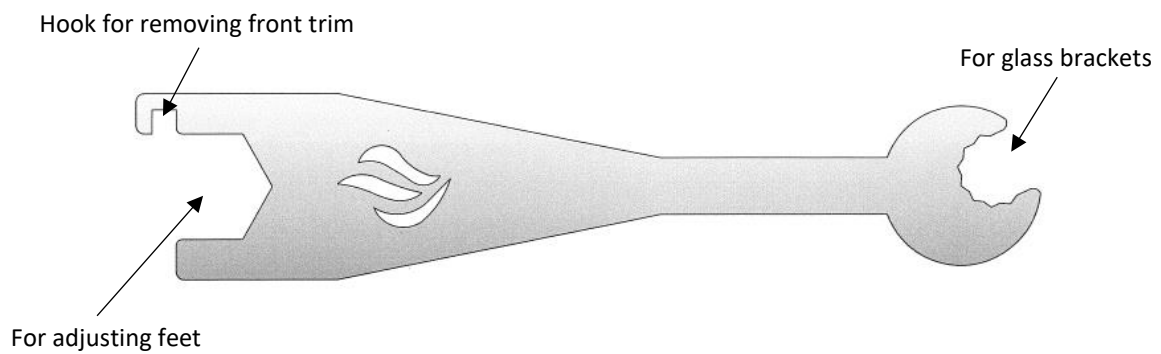
## Dimensions & Weights



## Dimensions in millimetres

Model	A	B	C	D	E	F	G	H	Weight kg
LS800 Landscape	826	553	858	336	289	16	100	111	41
PR800 Portrait	826	886	858	674	289	16	100	111	52
LS1200 Landscape	1281	605	1313	394	289	16	100	111	45
LS1700 Landscape	1705	605	1737	394	289	16	100	111	65

## Nu-Flame Multitool



## INSTALLATION AND REMOVAL OF THE FRONT GLASS PANEL

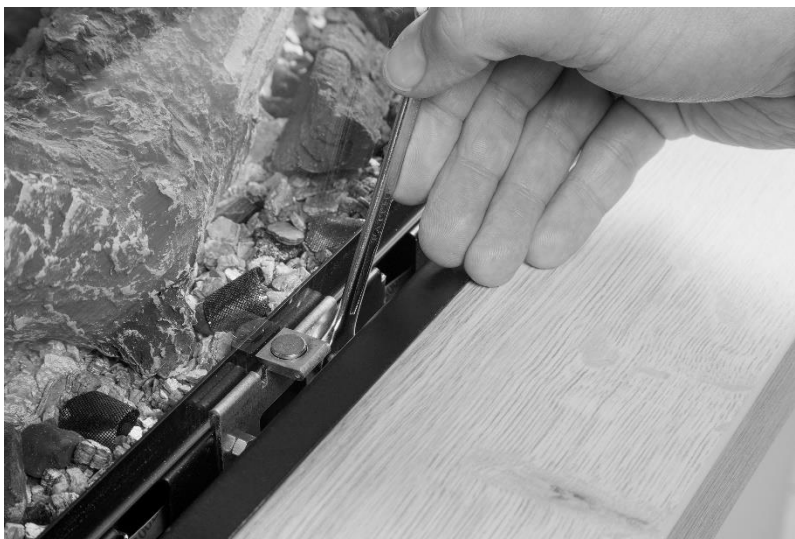
### Disconnect from power supply before removing glass

### Normally the only reason you would have to remove the glass would be to lay the fuel bed and log set on installation

To remove the front glass, you will first need to remove the 3 black steel trims as shown in the photo below. There is a small hole in the end of the longer trim that runs along the front of the glass. Lever this up with the multi tool provided or a small screwdriver. Once this is removed the 2 shorter side trims can be removed as well. The trims are held in place by magnets and will lift away easily.



The glass is secured in place by between 2 and 4 metal brackets depending on which size fire you have. Each bracket is held in place by 2 x 8mm bolts (spanner provided). These brackets must be removed by loosening (not removing) the 8mm nuts, using the multi tool provided, just enough to be able to lift the metal brackets away before any attempt can be made at removing the front glass panel.



The glass panel is seated in channel at the top and it stands on a ledge at the bottom. Both run the full width of the fire. Once the suction cups are securely attached to the glass panel you need to lift the glass up, off the ledge and then slowly allow the panel to drop in front of the bottom ledge and the 8mm nuts. This in turn allows the top of the glass to drop forward and be removed.



### **Warning**

The 2 suction cups provided are to assist in moving the glass **NEVER** as the sole means of lifting. Place the suction cups towards each end of the glass and never in the middle



Always support the glass throughout the entire removal process and have a secure place arranged close by to put the glass after removal before starting the process.

### **Note:**

To achieve a strong connection to the glass, maintain pressure on the centre of the cup for at least 15 seconds and then pull the handle down to create the vacuum seal. Make sure the seal is strong enough to take the weight of the glass before attempting to lift. Once free from the appliance place the glass gently in a safe place immediately.

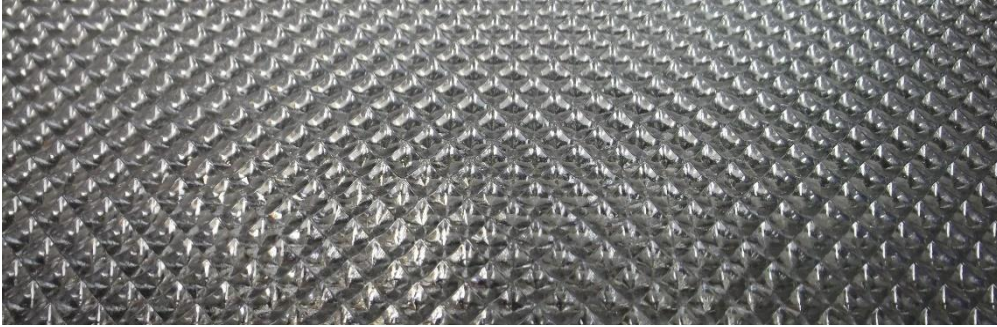
If you have difficulty in achieving a strong connection rinse the rubber pads of suction cups in warm water and then shake off the excess before attempting the process again.

## **FUEL BED AND LOG LAYOUT**

Once the glass is removed and safely put to one side, you can proceed to setting up the fuel bed and the log set. The fuel bed needs to be laid first and the process is the same regardless of which size fire you have.

### **Fuel Bed Layout**

The textured acrylic base will support the fuel bed material. To achieve the best effect the textured side must be on top. The appearance of the fuel bed and underlighting will be severely compromised if the smooth side is at the top.



Lay the bark bedding material loosely over the entire base area. For best results the bark bedding material should be laid loosely, so that there are areas across the entire fuel bed where the underlighting can shine through. There is no need to use the entire bag.



Lay the logs as per the layout guide on the following page.

## Log Set Layout

Once the fuel bed is laid the main log set can be put in place. There are 3 log sets, depending on which size fire you have. They are the 800L / 800P, the 1200L and the 1700L. The log set has been designed to lay on the fire as shown in the following photos. If preferred the logs can be laid in any way you wish, however, the following set up will give your fire the best appearance possible.



**LS800 Landscape and PR800 Portrait**



**LS1200**



**LS1700**

See next page for final adjustment of Log Set & Fuel Bed.



### Final Adjustment of Log Set & Fuel Bed

Some of the small, completely charred, logs have a unique profile and should be placed with the overhang at top facing forward. This provides a flat surface at the front which reflects the lighting from the underbed:



Overhang at the top facing forward

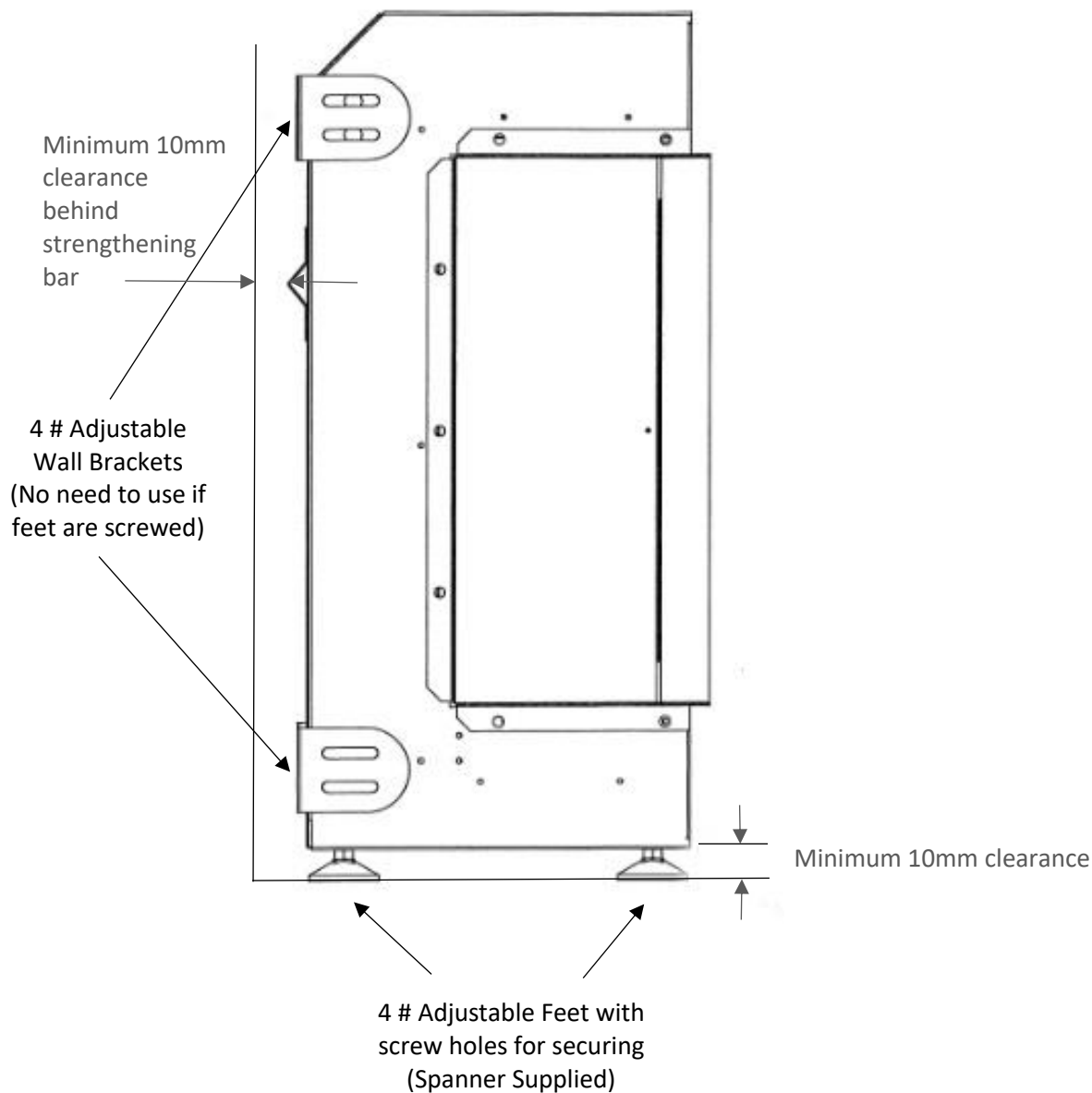
Flat surface to reflect underbed lighting

Once you are happy with the layout re-fit the glass, glass holding brackets and trim.

## Fixing Fire To Wall & Levelling Up

**Option 1** - Use all 4 adjustable rear brackets

**Option 2** - Use top 2 rear brackets and sit fire on the 4 adjustable feet



## Levelling Up

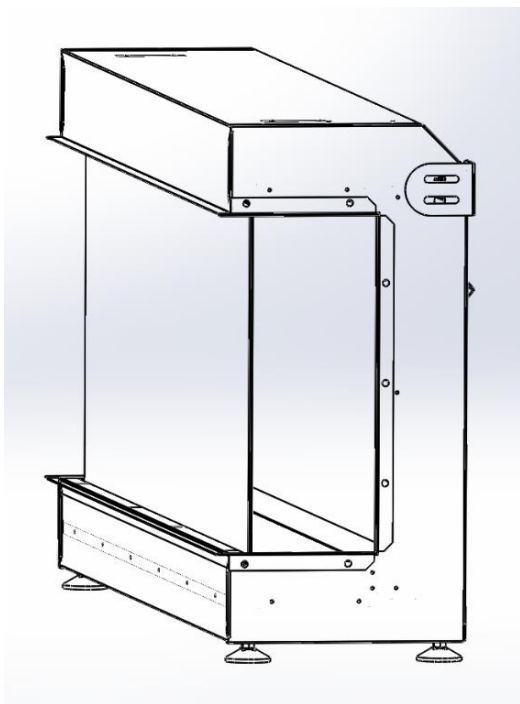
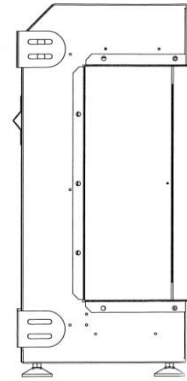
The fire must be perfectly level and not twisted. If the fire is not level this may twist the sheet metal case along its length. If this happens all kinds of problems will arise. The most obviously apparent one will be that the front glass will not fit properly, and the side and front glass corners will not line up.

## Clearances

Minimum 10mm at back of fire (behind the strengthening bar) and 10mm underneath the fire. No clearance is needed at the sides and top of the fire.

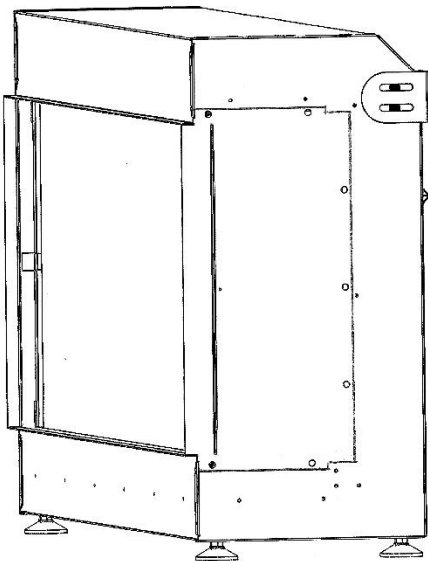
## Side Panel Setup

The fire comes with both options fitted. Undo the 7 screws and remove the option not required.



### Option A

Glass sided. For installations where fire is viewable from one or both sides (in addition to the front).



### Option B

Blanking Panel. For installations where fire is viewed from the front only.

Note! When using the blanking panel the side glass remains in place.



## EU Declaration of Conformity (DoC)

*In accordance with of European Parliament and Council Decision No 768/2008/EC Annex III*

Nu-Flame Limited  
Unit 4 Kimpton Trade & Business Centre  
Minden Rd  
Sutton  
SM3 9PF  
United Kingdom

Declare that the DoC is issued under our sole responsibility and belongs to the following products:

Device type: Electric Room Heater ELLESSE-R Series  
Type names: LS800, PR800, LS1200 and LS1700

Supplied accessories: Remote Control

The object of the declaration described above is in conformity with the relevant Union harmonisation legislation:

2014/30/EU	Electromagnetic Compatibility Directive
2014/35/EU	Low Voltage Directive
2011/65/EC	RoHS Directive and its amendments including (EU) 2015/863
2014/53/EU	Radio Equipment Directive

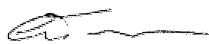
The following harmonised standards and technical specifications have been applied:

EN 55014-1:2017+A11:2020	EN 61000-3-2:2019
EN 55014-2:2015	EN 61000-3-3:2013+A1:2019
ETSI EN301 489-1 V2.2.0:2017	ETSI EN301 489-3 V2.1.1:2017
EN 60335-1:2012+A11:2014+A13:2017	EN 60335-2-30:2009 + A11:2012
EN 62233:2008	ETSI EN 300328 V2.2.2:2017

The respective safety requirements contained in the Instruction Manual must be followed for full compliance.

Product traceability is identified by serial number marked on the product.

Signed for on behalf of Nu-Flame Limited:

  
.....

Name, Position: Gerald Tagg, Managing Director.  
Place of Issue: Sutton, United Kingdom

Date of Issue: 31/08/2023



## UK Declaration of Conformity (DoC)

Nu-Flame Limited  
Unit 4 Kimpton Trade & Business Centre  
Minden Rd  
Sutton  
SM3 9PF  
United Kingdom

Declare that the DoC is issued under our sole responsibility and belongs to the following products:

Device type: Electric Room Heater ELLESSE-R Series  
Type names: LS800, PR800, LS1200 and LS1700

Supplied accessories: Remote Control

The object of the declaration described above is in conformity with the relevant UK Statutory Instruments:

SI 2016 no.1091	The Electromagnetic Compatibility Regulation 2016 (Amendment) Regulations 2019
SI 2016 no.1101	Electrical Equipment (Safety) Regulation 2016 (Amendment) Regulations 2019
SI 2016 no.492	The Restriction of the Use of Certain Hazardous Substances in Electrical and Electronic Equipment (Amendment) Regulations 2019
SI 2017 no.1206	Radio Equipment Regulations 2017

The following harmonised standards and technical specifications have been applied:

EN 55014-1:2017+A11:2020	EN 61000-3-2:2019
EN 55014-2:2015	EN 61000-3-3:2013+A1:2019
ETSI EN301 489-1 V2.2.0:2017	ETSI EN301 489-3 V2.1.1:2017
EN 60335-1:2012+A2:2019	EN 60335-2-30:2010 + A12:2020
EN 62233:2008	BS1363-1:2016 + A1:2018
ETSI EN 300328 V2.2.2:2017	

The respective safety requirements contained in the Instruction Manual must be followed for full compliance.

Product traceability is identified by serial number marked on the product.

Signed for on behalf of Nu-Flame Limited:

A handwritten signature in black ink, appearing to read "Gerald Tagg".

.....  
Name, Position: Gerald Tagg, Managing Director.  
Place of Issue: Sutton, United Kingdom

Date of Issue: 31/08/2023

**The preceding pages refer to all installations**

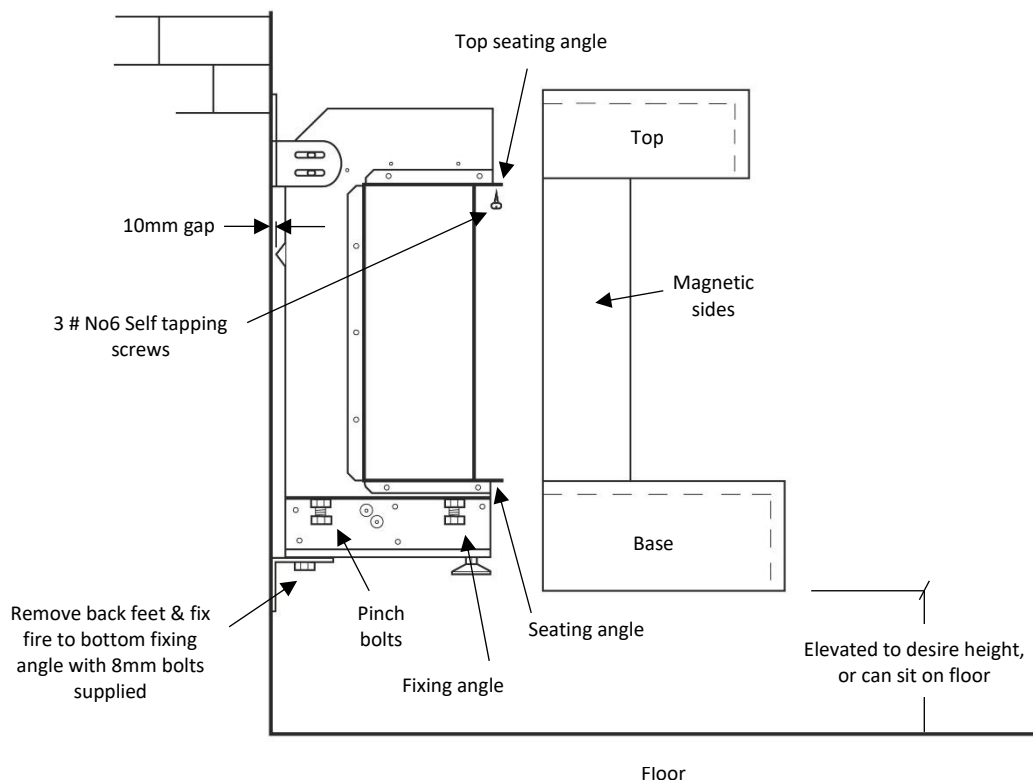
**The following pages detail the installation requirements for  
specific applications:**

***Hole in the Wall, Media Wall, Fireplace Installation etc***

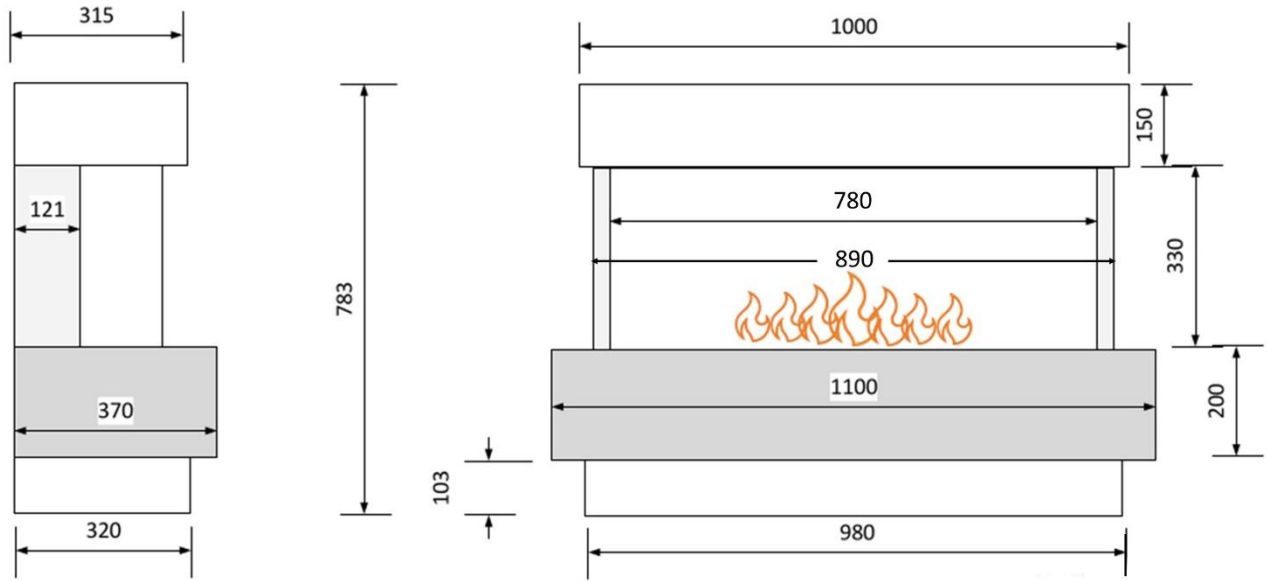
## INSTALLING THE ELLESSE-R ELECTRIC FIRE WITH WARWICK SUITE OR LANCASTER SUIT TO A BRICK WALL

**If the wall is not strong enough to support the fire consider floor mounting instead**

1. Fit the bottom support angle to the wall whilst ensuring it is perfectly level. 10 x 2" countersunk screws and plastic wall plugs are supplied, requiring a 7mm masonry drill. The support angle also has 10.5mm diameter holes and these can be used for 8mm sleeve anchors if required. There are more holes in the support angle than required, to give you options.
2. Fit the top fixing bracket with the 8mm flange head bolts supplied. Make sure the section with the wall fixing holes are inwards (concealed behind the fire and not sticking out) otherwise they will be visible when the fireplace top goes on.
3. Once the fire is fixed to the wall it can be adjusted forwards and backwards to allow the fireplace to seat to the wall.
4. Fit the two fixing angles with the No.6 self-tapping screws provided.
5. Slide the Warwick or Lancaster Suite base on and push back to the wall. Then nip up the pinch bolts, pushing the base up to the bottom of the seating angle.
6. Put the fireplace top on the seating angle and push back to the wall. Screw 3 # No.6 screws through the top seating angle to secure the fireplace top.
7. Attach both magnetic side panels.
8. The fire must be perfectly level, and not twisted, otherwise the glass corners will not line up and the front glass will not fit.

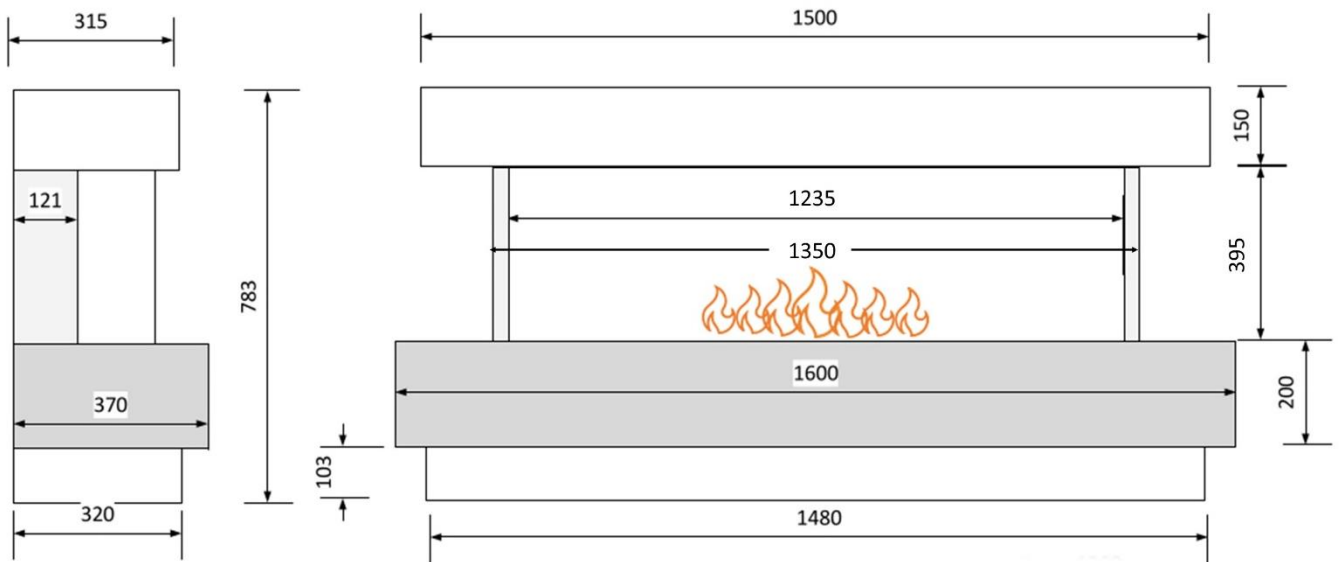


**See following page for Fireplace Dimensions**



### Warwick LS800 Fireplace

*Note: Lancaster LS800 Dimensions are the same, except the 103mm high 'under plinth' is not present on the Lancaster*

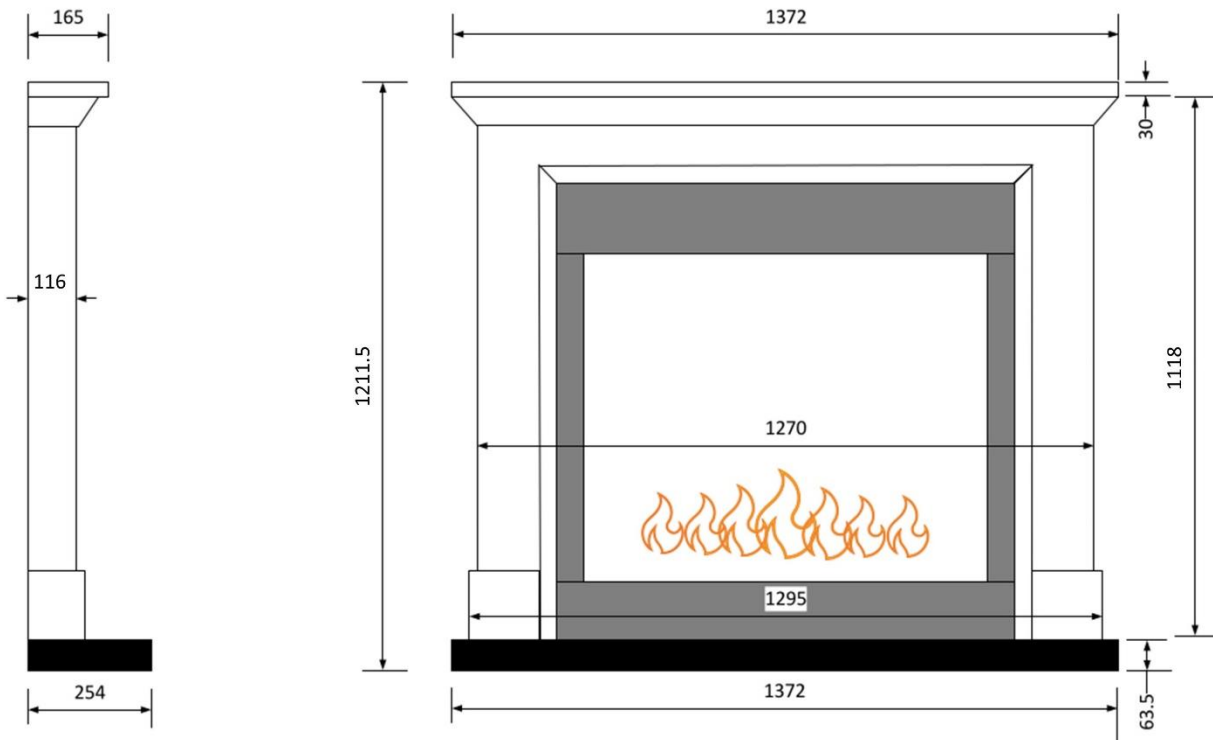


### Warwick LS1200 Fireplace

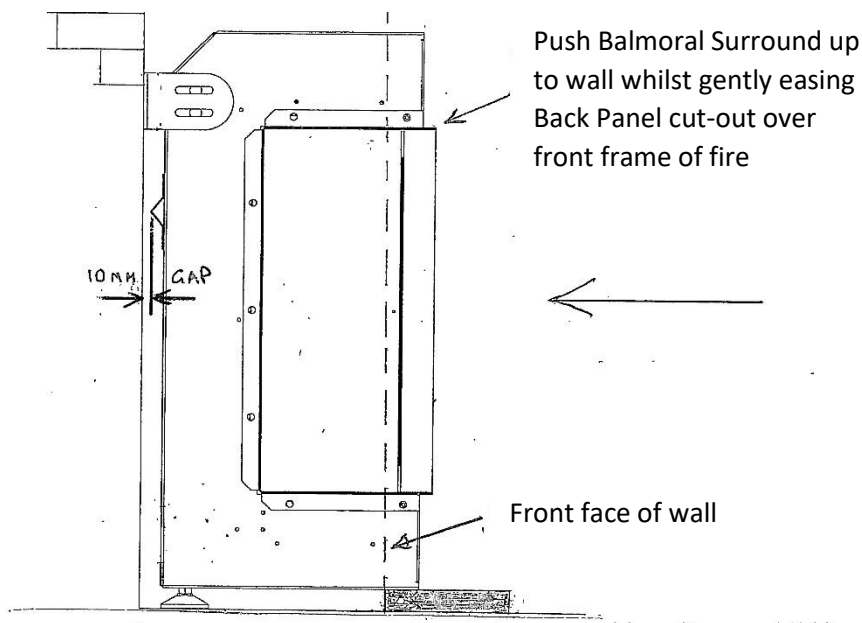
*Note: Lancaster LS800 Dimensions are the same, except the 103mm high 'under plinth' is not present on the Lancaster*



**INSTALLING THE PR800 ELLESSE-R ELECTRIC FIRE WITH A BALMORAL SUITE**



1. The front glass area of the Ellesse-R PR800 is designed to fit the opening in the Balmoral Suite back panel with minimal, but adequate, clearance
2. The surround is only rebated by 65mm so the Ellesse-R PR800 will have to be installed within the wall or studwork.
3. Remove the front feet of the Ellesse-R PR800 to allow the fire to sit on the hearth (which is pushed back to the front face of the wall).



4. The fire must be perfectly level, and not twisted, otherwise the glass corners will not line up and the front glass will not fit.

## ONE SIDED - FULLY RECESSED INSTALLATION

### Dimensions for opening in millimetres

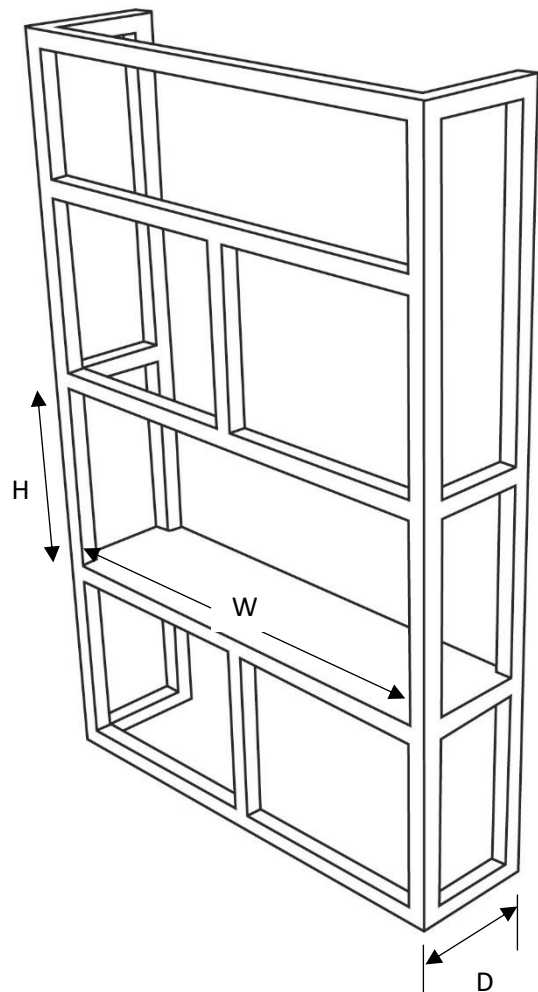
Model	W	H	D	Feet Centres
LS800 Landscape	865	558	304 minimum	771
LS1200 Landscape	1320	610	304 minimum	1226
LS1700 Landscape	1744	610	304 minimum	1650

**Fire to be positioned into studwork prior to cladding with 12.5mm plaster board.**

**Note:** We recommend a solid base board for the 4 feet of the fire to sit on. Alternatively, you can have cross members to support the feet, which are 50mm diameter. The centres of the feet are shown on the above chart.

Level all 4 feet before fixing the fire back to the wall. The fire must be perfectly level, and not twisted, otherwise the glass corners will not line up and the front glass will not fit.

As an alternative to fixing the fire to the wall you can screw each of the front feet into the base board or cross members. You will need to rotate each foot so that the hole is at the front and then put a screw in at an angle.



## CORNER INSTALLATION (FRONT & 1 SIDE VISIBLE)

### Dimensions for opening in millimetres

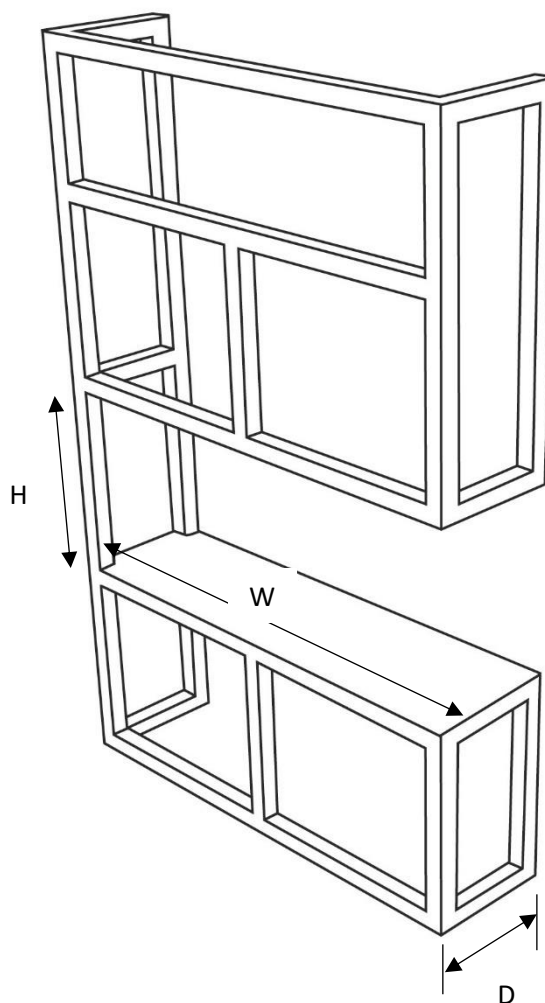
Model	W	H	D	Feet Centres
LS800 Landscape	846	558	304 minimum	771
LS1200 Landscape	1301	610	304 minimum	1226
LS1700 Landscape	1725	610	304 minimum	1650

**Fire to be positioned into studwork prior to cladding with 12.5mm plaster board.**

**Note:** We recommend a solid base board for the 4 feet of the fire to sit on. Alternatively, you can have cross members to support the feet, which are 50mm diameter. The centres of the feet are shown on the above chart.

Level all 4 feet before prior to fixing the fire back to the wall. The fire must be perfectly level, and not twisted, otherwise the glass corners will not line up and the front glass will not fit.

As an alternative to fixing the fire to the wall you can screw each of the front feet into the base board or cross members. You will need to rotate each foot so that the hole is at the front and then put a screw in at an angle.



## THREE-SIDED INSTALLATION (FRONT BOTH SIDES VISIBLE)

### Dimensions for opening in millimetres

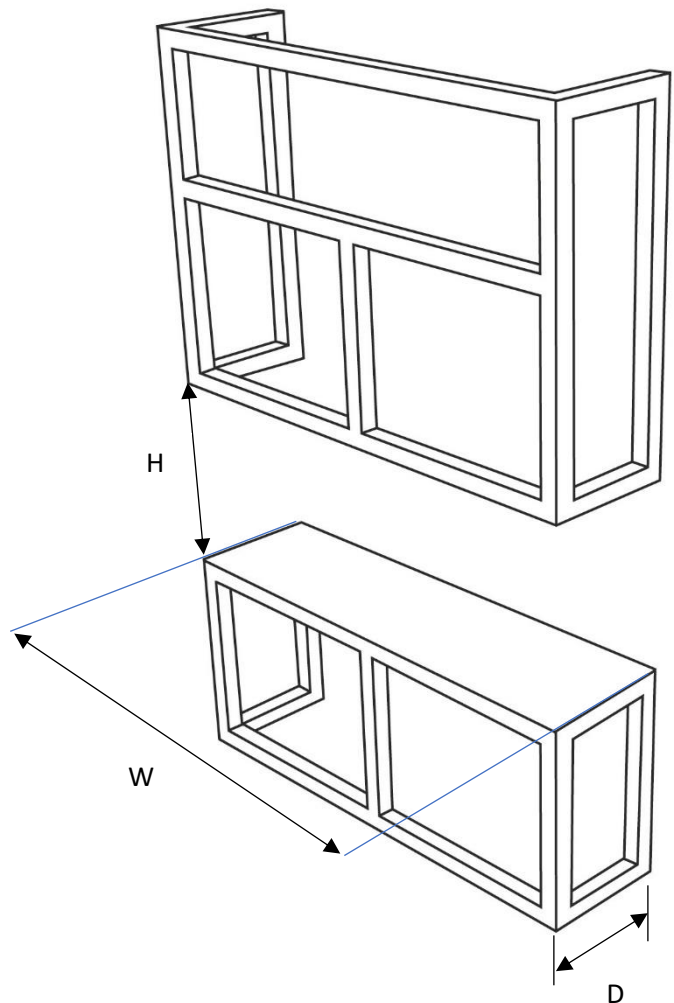
Model	W	H	D	Feet Centres
LS800 Landscape	834	558	304 minimum	771
LS1200 Landscape	1289	610	304 minimum	1226
LS1700 Landscape	1713	610	304 minimum	1650

**Fire to be positioned into studwork prior to cladding with 12.5mm plaster board.**

**Note:** We recommend a solid base board for the 4 feet of the fire to sit on. Alternatively, you can have cross members to support the feet, which are 50mm diameter. The centres of the feet are shown on the above chart.

Level all 4 feet before prior to fixing the fire back to the wall. The fire must be perfectly level, and not twisted, otherwise the glass corners will not line up and the front glass will not fit.

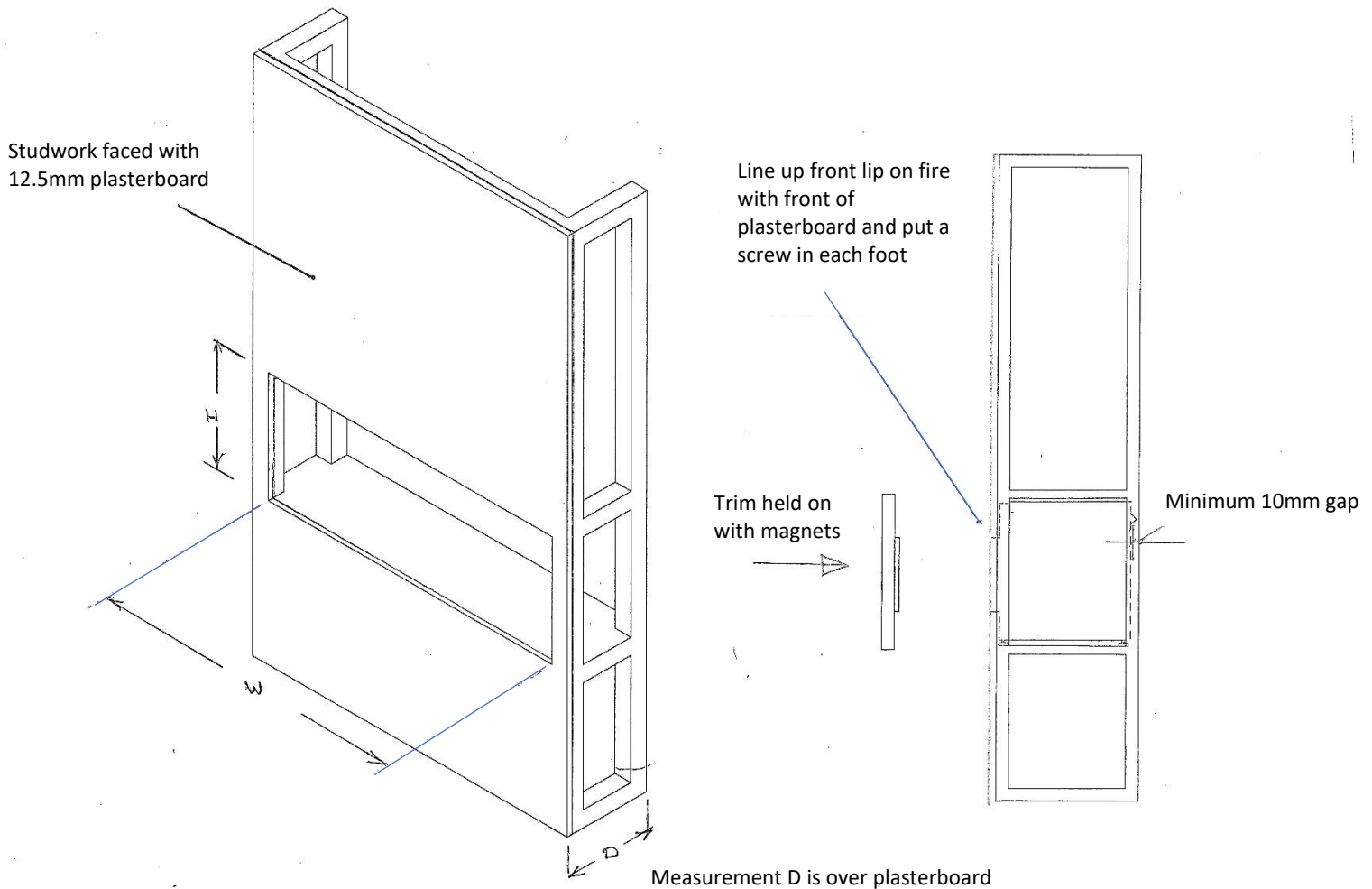
As an alternative to fixing the fire to the wall you can screw each of the front feet into the base board or cross members. You will need to rotate each foot so that the hole is at the front and then put a screw in at an angle.



## HOLE IN THE WALL INSTALLATION WITH DELUXE TRIM

### Dimensions for opening in millimetres

Model	W	H	D	Feet Centres
LS800 Landscape	865	558	314 minimum	771
LS1200 Landscape	1320	610	314 minimum	1226



Fire to be positioned into studwork prior to plaster boarding.

**Note:** We recommend a solid base board for the 4 feet of the fire to sit on. Alternatively, you can have cross members to support the feet, which are 50mm diameter. The centres of the feet are shown on the above chart.

Level all 4 feet before fixing the fire back to the wall. The fire must be perfectly level, and not twisted, otherwise the glass corners will not line up and the front glass will not fit.

As an alternative to fixing the fire to the wall you can screw each of the front feet into the base board or cross members. You will need to rotate each foot so that the hole is at the front and then put a screw in at an angle.