



THE BRITISH-MADE GAS FIRE COLLECTION

Affordable quality, attention to detail, low running costs, made in the UK.

For more than 30 years Nu-Flame has brought together the very best of British Innovation, Design and Engineering to give our customers a range of quality gas fires with the authentic look of a traditional flame. The Nu-Flame range is available only from specially selected fireplace showrooms offering unrivalled customer service. These knowledgeable and friendly local stockists will give you all the necessary advice to help you choose a Nu-Flame fire to suit your individual requirements.

Nu-Flame, a family run business, has invested heavily in our own state of the art factory in Surrey. Unlike some companies, we choose to manufacture all of our fires here in the UK and this enables us to ensure that your fire is built to the highest standards as well as allowing us to react quickly to any changes in the marketplace.

Great design is at the heart of everything we do. Nu-Flame fires combine the latest technologies with tradition and contemporary trends and certainly stand out from the crowd.

Bring a sense of elegance and luxury to the heart of your home.
Choose Nu-Flame.



Nu-Flame gas fires are built using the finest components to a BS EN ISO 9001 quality management system at our state-of-the-art factory in Surrey. Our gas fires, with advertised efficiencies, are guaranteed for a period of 5 years from the date of purchase. The cover for the first 2 years is for parts and labour on site. The cover for the following 3 years is for parts and labour, return to base.*

* Terms and conditions apply, including having your appliance serviced annually by a Gas Safe Registered Engineer. See website for full details.

Nu-Flame would like to thank Capital Fireplaces for supplying some of the fireplaces used in this brochure, also thanks to Glasswells (World of Furniture) 01473 622422 for kindly lending us furniture.

Photography, Design and Production by TPW Graphics Ltd www.tpwgraphics.co.uk

All measurements in this brochure are in mm and are approximate. Dimensions are for general information only. Full details, for fireplace construction purposes, are available from your Nu-Flame stockist.

CONTENTS

Page

Information	3
GLASS FRONTED HIGH EFFICIENCY FIRES	
Vitesse CF	4 - 9
Veo CF Slimline	10 - 15
Fenton CF	16 - 17
OPEN FRONTED HIGH EFFICIENCY FIRES	
Energis Hotbox	18 - 21
Energis Ultra	22 - 25
Energis Slimline Ultra	26 - 29
Energis Vista+	30 - 33
Energis Slimline Vista+	34 - 37
GLASS FRONTED BALANCED FLUE FIRES	
Vitesse Balanced Flue	38 - 43
Veo Balanced Flue - Slimline	44 - 49
Fenton Balanced Flue - Outset Stove	50 - 51
OPEN FRONTED DECORATIVE FIRES	
Evolution Plus Tapered & Made to Measure Burners	52
The Fireboxx Burner	53
GENERAL	
Frames	54
Frets	55
Technical Information	56 - 58
Controls & Flue Types	59
Contact Details	60



BRITISH MADE



Every Nu-Flame fire is built to ISO 9001 and CE quality standards.

Why choose gas for your fire?

Gas is convenient, easy to use, totally reliable and clean. It is also better for the environment and your pocket! With running costs that are almost half that of an equivalent electric fire or wood burning stove and without any mess or storage issues!

For controllability of your room temperature, and running costs, a high efficiency gas fire is without equal. From simple manual controls to high level 'touch' controls and on to full remote control ... it really could not be easier.

Why choose Nu-Flame?

British Jobs, British Built, British Quality ...

Manufacturing the most innovative gas fires on the market, Nu-Flame leads the way with industry beating efficiencies, low running costs, aesthetic appeal and the widest range of open fronted, high efficiency fires available. Add to this our stunning collection of glass fronted fires for even higher efficiencies with lower running costs and it is easy to see why Nu-Flame are true market leaders and the Best of British. Traditional, classic, contemporary or modern; we have a solution for every demand.

Less gas in - more heat out!

As a family run British business we strive to design fires with the style and performance to meet the needs of you and your family. We are innovators in the field of fuel effect gas fires and have utilised our industry leading knowledge to produce a range that features greater heat outputs with lower running costs and higher efficiencies. With our wide choice of stylish designs and leading heat outputs, a Nu-Flame fire can be an important element in enabling you to reduce your carbon footprint and so protect the future of our planet.

By choosing a Nu-Flame High Efficiency Gas Fire, instead of a less efficient alternative, you will use less gas to heat your room and the carbon emissions will be lower.



Vitesse



Energis Hotbox



Energis Ultra



Fenton Balanced Flue



Energis Slimline Vista+

Vitesse CF





Vitesse CF with Satin Black Contemporary hooded frame and Black/Brass Silhouette Trim

The Nu-Flame Vitesse CF is a versatile, high efficiency, glass fronted convector fire for use in any home with a chimney. With a wide choice of trims and finishes the Vitesse CF can be used in a fireplace or as a Hole in the Wall centrepiece. The Vitesse CF provides stunning good looks along with a superb efficiency and is the ideal choice if you want a very hot, great looking fire.



Vitesse CF Fuel Bed

Please note that the Vitesse CF fuel bed is different to that of the Balanced Flue model

Vitesse CF

Specification for all Vitesse CF Models

GLASS FRONTED

CONTROLS

Manual, 2 Button High Level,
3 Button Fully Sequential High Level
or Fully Sequential Remote Control

New - Slide Control (Not available on
Arc or Standen models)

EFFICIENCY

Efficiency Class 1
88% Net (Natural Gas)
Energy Efficiency Class C

Efficiency Class 1
86.4% Net (Propane)
Energy Efficiency Class D

HEAT OUTPUT

4.44kW (Natural Gas)
4.17kW (Propane)

VENTILATION

Not required

INTERIOR

Plain Black

FUEL BED

Coal effect

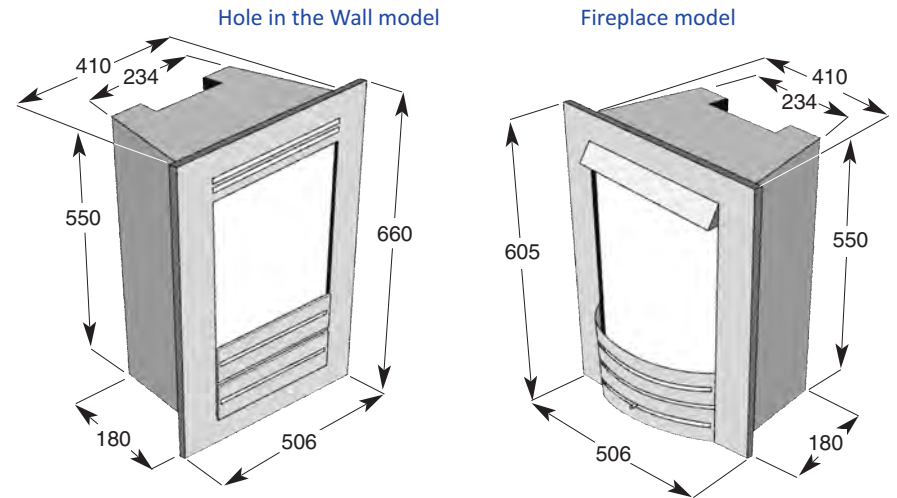
FLUE TYPE

Class 1 or 2, Pre-Cast



Vitesse CF

Modern & Contemporary Trim



Vitesse CF Hole in the Wall model with Two-Tone Modern louvred Trim and Marfil Outer Frame

With its clean lines the Modern Trim, shown above, features a flat ashpan cover and open louvres above the flames. The Contemporary Trim, shown to the right, features an elegant bowed ashpan cover and a hood above the viewing window. Both of these trims are available as Fireplace models and Hole in the Wall models.

Finishes available for Vitesse Fireplace and Hole in the Wall models:

Modern Trim (Flat):

Brushed Stainless, Two-Tone, Satin Black

Contemporary Trim (Curved):

Brushed Stainless, Two-Tone, Satin Black,
Antique Gold, Gun Metal

Outer Frame finishes - Hole in the Wall models:

Lacquered Brushed Stainless, Satin Black, Holographic
Black, Marfil Stone, Gun Metal

Size 684 x 834



Vitesse CF with Brushed Stainless Contemporary hooded Trim



Vitesse CF

Royale

Vitesse CF Royale with Satin Black hooded frame and Horizon Black fret



Vitesse CF Royale with Satin Black hooded frame, Polished Stainless Flat Trim and Horizon Chrome fret



Vitesse CF Royale with Satin Black hooded frame, Black/Brass Silhouette Trim and Traditional Brass/Black fret



Vitesse CF Royale with Satin Black hooded frame, Flat Polished Stainless Steel Trim and Traditional Chrome/Black fret

The Vitesse CF Royale is suitable for most flue types including some pre-cast flues. Available for use with either Natural Gas or Propane, and with no less than five control options, versatile describes this fire perfectly! With a wide range of finishes and frets, the Vitesse CF Royale is the ideal fire when looking for traditional styling combined with the latest technology and glass fronted efficiency.

Frame options:

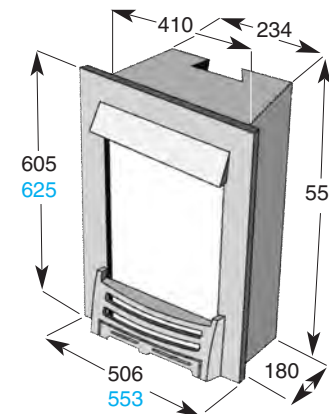
Brushed Stainless frame, Satin Black frame
Choice of open louvres or built-in hood above the viewing window

Optional Trims (to go over frame):

Black/Brushed Stainless Silhouette Trim, Black/Polished Stainless Silhouette Trim, Black/Brass Silhouette Trim
Polished Stainless Flat Trim, Brass Flat Trim

Frets (to suit The Vitesse CF Royale):

Horizon Chrome, Horizon Brushed, Horizon Antique, Horizon Black, Traditional Brass/Black (18"), Traditional Chrome/Black (18")



Fireplace model



Vitesse CF Royale with Satin Black louvered frame, Black/Polished Stainless Silhouette Trim and Traditional Chrome/Black fret

Flat frame dimensions shown in black
Optional Silhouette Trim and Flat Trim dimensions shown in blue

Efficiency 88%

Glass Fronted



Vitesse CF with Lacquered Brushed Stainless Steel Arc Trim

Simplicity is the key to great design and the Arc Trim exemplifies this beautifully! It uniquely manages to combine both contemporary looks and a traditional feel. Regardless of the setting, the Vitesse CF with the Arc Trim will give you our highest efficiency glass fronted fire with the best of British design.

The fireplace version of the Arc Trim can be used without an Outer Frame, as shown above, or with an Outer Frame as shown on page 25.

Arc Trim finishes Fireplace & Hole in the Wall models:

Lacquered Brushed Stainless, Noir, Phosphorus

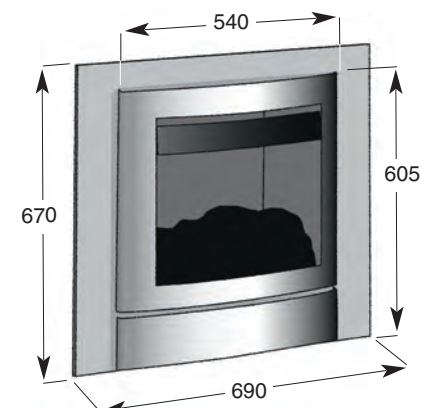
Outer Frame finishes for Arc Trim Fireplace & Hole in the Wall models:

Lacquered Brushed Stainless, Satin Black

Vitesse CF

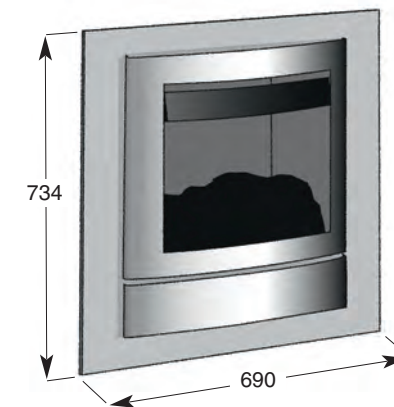
Arc Trim

Measurements of visible parts only are shown. For further measurements please see page 6.



Fireplace model

Hole in the Wall model



Vitesse CF Hole in the Wall model with Brushed Stainless Arc Trim and Satin Black Outer Frame



Vitesse CF Standen Inset Stove with Chrome Plated handle

The Vitesse CF Standen Inset Stove offers you the traditional look of a coal burning inset stove but with cheaper running costs and the cleanliness and controllability of gas! For instant heat, stunning good looks and the assurance of ground breaking technology coupled with the benefits of glass fronted efficiency, the Vitesse Standen Inset Stove is truly in a league of its own!

The Standen Inset Stove is finished in textured jet black with the option of either a chrome plated or black handle.

Vitesse CF

Standen Inset Stove

FINISH

Textured Jet Black

HANDLES

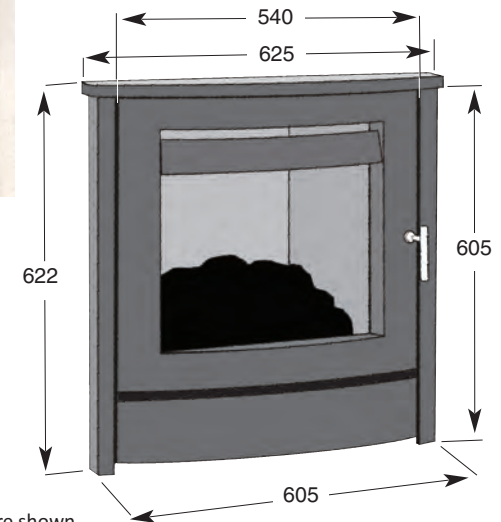
Chrome Plated or Black

FUEL BED

Coal effect

CONTROL OPTIONS

Manual, 2 Button High Level, 3 Button Fully Sequential High Level or Fully Sequential Remote Control



Measurements of visible parts only are shown.
For further measurements please see page 6.

Efficiency 88%

Glass Fronted

Veo CF *Slimline*





Veo CF with Satin Black Contemporary frame, Black/Polished Stainless Silhouette Trim, Dark Log fuel effect and Reflective Black Glass lining

The new Veo CF. Less Gas in, more Heat out!

Versatility, Efficiency and 21st Century technology all combine to produce this stunning fire less than 100mm deep.

Designed to be suitable for use with Class 1 and 2 flues as well as many pre-cast flues*

Engineered to give you a great heat output of up to 3.8kW with an amazing 84.9% efficiency and all with a massively reduced input, helping you to save money whilst being more environmentally friendly.

A truly versatile fire, with designer frame options from traditional to contemporary and so much more!



Dark Log Fuel Bed



Coal Fuel Bed



Silver Birch Fuel Bed

* ask your authorised retailer for more details.

Veo CF Slimline

Specification for all Veo CF Models

GLASS FRONTED

CONTROLS

Manual, 3 Button Fully Sequential High Level
Fully Sequential Remote Control or
Thermostatic Remote Control

New - Slide Control (Not available on Arc
or Standen models)

EFFICIENCY

Efficiency Class 1
84.9% Net (Natural Gas)
Energy Efficiency Class C*

Efficiency Class 1
85.6% Net (Propane)
Energy Efficiency Class C*

HEAT OUTPUT

3.82kW (Natural Gas)
3.72kW (Propane)

VENTILATION

Not required

INTERIOR

Plain Black or Reflective Black Glass

FUEL BED

Coal, Dark Log or Silver Birch effect

FLUE TYPES

Class 1 or 2, Pre-Cast

*When used with Thermostatic Remote Control
All other Controls Class D



Veo CF with Satin Black Two-Tone Modern louvred Trim

Veo CF

Slimline

Modern & Contemporary Trim



Veo CF with Satin Black Contemporary frame, Black/Polished Stainless Silhouette Trim, Dark Log fuel effect and Reflective Black Glass lining

When simplicity and design are perfectly matched, the result is the Modern Trim, as shown above. Clean lines which feature a flat ashpan cover and discreet open louvres above the flame picture. The contemporary trim shown to the right, with its elegant curves offers a gentle curved ashpan cover and a subtle hood above the viewing window. Both trim designs are available as 3 sided fireplace models or 4 sided hole in the wall models.

Finishes available for Veo Fireplace and Hole in the Wall models:

Modern Trim (Flat):

Brushed Stainless, Two-Tone, Satin Black

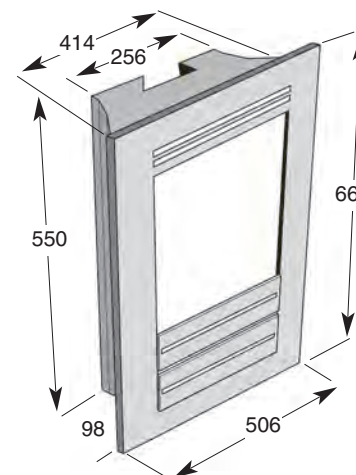
Contemporary Trim (Curved):

Brushed Stainless, Two-Tone, Satin Black, Antique Gold, Gun Metal

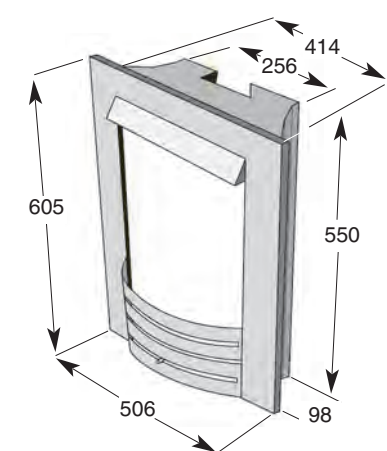
Outer Frame finishes - Hole in the Wall models:

Lacquered Brushed Stainless, Satin Black, Holographic Black, Marfil Stone, Gun Metal
Size 684 x 834

Hole in the Wall model



Fireplace model





Veo CF Royale with Satin Black hooded Frame, Black/Polished Stainless Silhouette Trim and Traditional Chrome/Black fret



Veo CF Royale with Satin Black hooded Frame, Brass Flat Trim and Horizon Antique fret

Veo CF Royale with Satin Black hooded Frame, Polished Stainless Flat Trim and Horizon Chrome fret

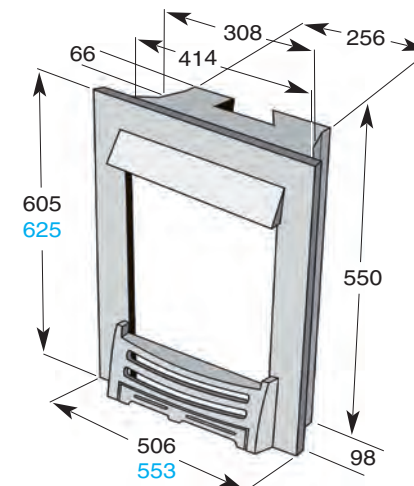


Veo CF Royale with Satin Black louvred Frame Black/Brass Silhouette Trim, Traditional Brass/Black fret, Reflective Black Glass lining and Dark Log fuel effect



Veo CF Royale with Satin Black louvred Frame, Polished Stainless Flat Trim and Traditional Chrome/Black fret, Reflective Black Glass lining and Silver Birch fuel effect

Flat frame dimensions shown in black
Optional Silhouette Trim and Flat Trim dimensions shown in blue



The Veo CF Slimline Royale is compatible with most Class 1 and Class 2 flues and almost all precast flues. The versatility of this fire is further enhanced by it being available for use with either Natural Gas or Propane.

Frame options:

Brushed Stainless frame, Satin Black frame
Choice of open louvres or built-in hood above the viewing window

Optional Trims (to go over Satin Black frame):

Black/Brushed Stainless Silhouette Trim, Black/Polished Stainless Silhouette Trim, Black/Brass Silhouette Trim, Polished Stainless Flat Trim, Brass Flat Trim

Frets (to suit the Veo CF)

Horizon Chrome, Horizon Brushed, Horizon Antique, Horizon Black, Traditional Brass/Black (18"), Traditional Chrome/Black (18")

Efficiency 84.9%

Glass Fronted



Veo CF with Lacquered Brushed Stainless Arc Trim, Silver Birch fuel effect and Reflective Black Glass lining

When quality, design and engineering excellence collide, the stunning Arc Trim is the result! Available in a choice of finishes, with the options of a contrasting or matching outer frame as well as the choices of three different fuel beds or four control types! You can mix and match to create the fire that is tailored for you.

Arc Trim finishes Fireplace & Hole in the Wall models:

Lacquered Brushed Stainless, Noir, Phosphorus

Outer Frame finishes for Arc Trim Fireplace & Hole in the Wall models:

Lacquered Brushed Stainless, Satin Black

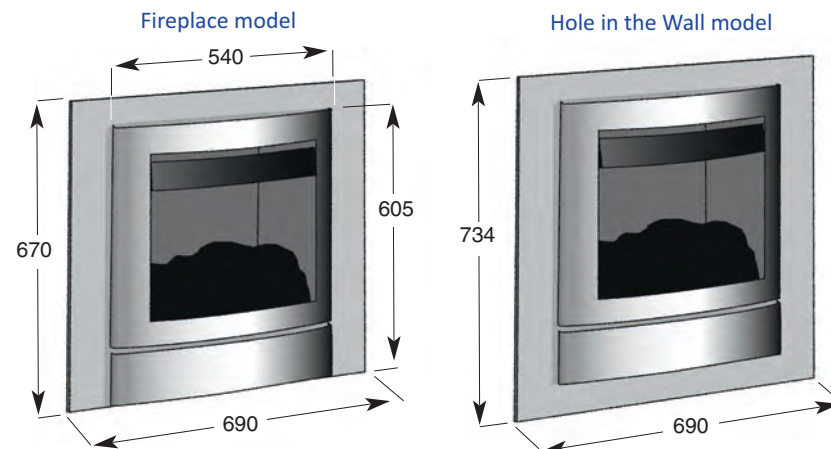
Veo CF Slimline

Arc Trim



Veo CF Slimline with Noir Arc Trim and Lacquered Brushed Stainless Outer Frame

Measurements of visible parts only are shown. For further measurements please see page 12.





Veo CF with Standen Inset Stove Frame, Chrome Plated Handle, Reflective Black Glass lining and dark log fuel effect

The Veo CF Standen Inset Stove gives you a traditional feel with a modern twist! Recreate the mood of a traditional fire, choose from dark log, coal or silver birch fuel beds, throw in the cleanliness of gas and then add running costs that a real log fire can only dream of! With a phenomenally low gas input yet an incredible efficiency of 84.9%, this wonderful fire will keep you warm and cosy without mess, without fuss and without breaking the bank!

Measurements of visible parts only are shown. For further measurements please see page 12.

Veo CF Slimline

Standen Inset Stove

FINISH

Textured Jet Black

HANDLES

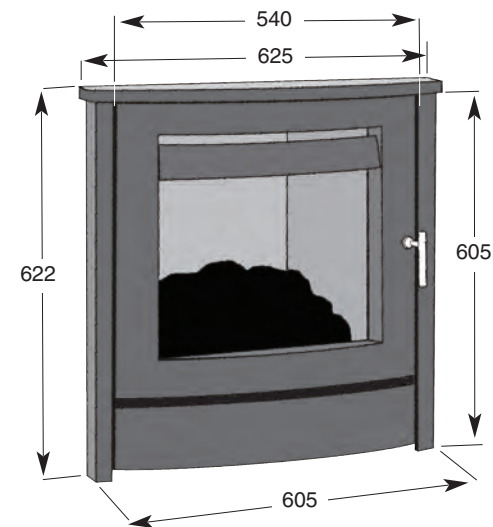
Chrome Plated or
Black

FUEL BED

Coal, Dark Logs or Silver Birch Effect

CONTROL OPTIONS

Manual, 3 Button Fully Sequential High Level
Fully Sequential Remote Control or
Thermostatic Remote Control



Efficiency 84.9%

Glass Fronted

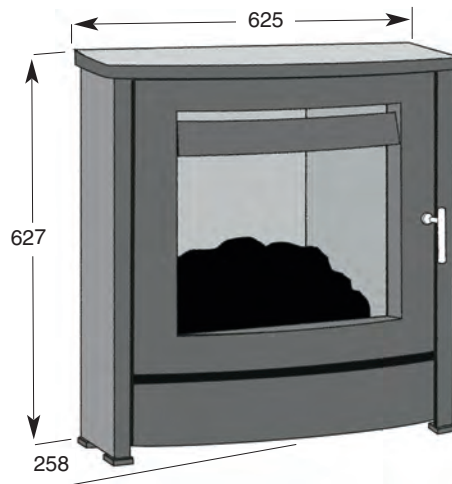
Fenton CF *Outset Stove*





A modern day twist to outset gas fires, shaking off the dated image for ever!

This wonderful re-creation of a traditional wood or coal burning stove will add character to any room and without the fuss or mess. The Fenton CF can be installed on any suitable hearth and comes with the option of three stunning and realistic fuel beds, choose from dark logs, coals or silver birch. Personalise your fire with either plain black lining or superb reflective black glass lining and finish it all off with the option of three different control options.



FINISH
Textured Jet Black

HANDLES
Chrome Plated or Black



Dark Log Fuel Bed



Coal Fuel Bed



Silver Birch Fuel Bed

Fenton CF

Outset Stove

GLASS FRONTED

CONTROLS

Manual, Fully Sequential Remote Control or Thermostatic Remote Control

EFFICIENCY

Efficiency Class 1
84.9% Net (Natural Gas)
Energy Efficiency Class C*

Efficiency Class 1
85.6% Net (Propane)
Energy Efficiency Class C*

HEAT OUTPUT

3.82kW (Natural Gas)
3.72kW (Propane)

VENTILATION

Not required

FINISH

Textured Jet Black

HANDLES

Chrome plated or Black

INTERIOR

Plain Black or Reflective Black Glass

FUEL BED

Coal, Dark Log or Silver Birch effect

FLUE TYPES

Class 1 or 2, Pre-Cast

* When used with Thermostatic Remote Control
All other controls Class D

Energis Hotbox





Energis Hotbox with Black/Chrome Cast frame and Traditional Chrome/Black fret

Be inspired by our fires, create the style you've always dreamed of. The Energis Hotbox from Nu-Flame features a completely open front and full depth fuel bed for maximum realism to enhance any room. The Energis Hotbox is distinctively individual, unique in its design, giving a natural realistic effect with a superb efficiency of 67.9%. A fire that will exceed your expectations.

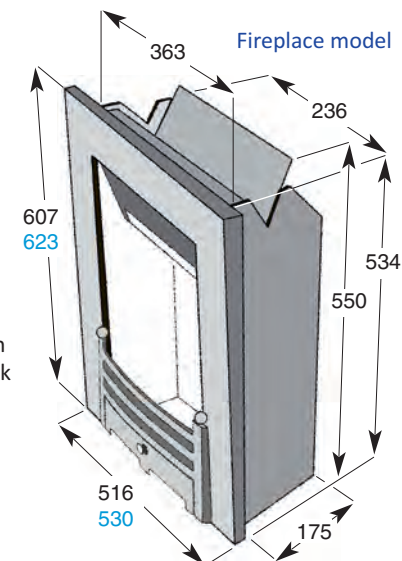
3 Sided frame finishes Fireplace models only:

Choose from **Flat**, **Silhouette** or **Cast** styles, in a choice of beautiful finishes. See pages 54 and 55 for the full frame and fret selection.

Energis Hotbox



Energis Hotbox with Satin Black Flat frame and Novello Black fret



Flat frame,
Silhouette frame &
Contemporary Trim
sizes shown in black
Cast frame sizes
shown in blue

Efficiency 67.9%

Open Fronted



Energis Hotbox with Satin Black Contemporary Trim

Contemporary Trim finishes

Fireplace & Hole in the Wall models:

Brushed Stainless, Lacquered Brushed Stainless, Satin Black, Holographic Black, Antique Gold, Gun Metal

Outer Frame finishes for Contemporary Trim

Hole in the Wall models:

Lacquered Brushed Stainless, Satin Black, Holographic Black, Marfil Stone, Gun Metal
Size 684 x 834

Energis Hotbox

Contemporary Trim

OPEN FRONTED

CONTROLS

Manual, 2 Button High Level,
3 Button Fully Sequential High Level
or Fully Sequential Remote Control

New - Slide Control (Not available on
Cast frame or Arc models)

EFFICIENCY

Efficiency Class 2
67.9% Net (Natural Gas)
Energy Efficiency Class F

Efficiency Class 2
67.2% Net (Propane)
Energy Efficiency Class F

HEAT OUTPUT

4.25kW (Natural Gas)
4.25kW (Propane)

VENTILATION

Not normally
required

INTERIOR

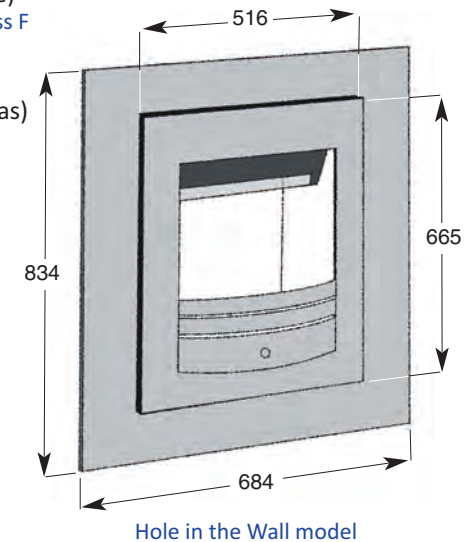
Plain black

FUEL BED

Coal effect
Coal and Coke flame
settings on Natural Gas
models

FLUE TYPES

Class 1 or 2,
Pre-Cast



Measurements of visible parts only are shown. For further
measurements or for fireplace model see page 19.



Energis Hotbox with Noir Arc Trim

This fire is a statement piece, adding a touch of style with the warmth you would expect from an output of 4.25kW.

The Energis Hotbox can be used with our Arc Trim in a fireplace, giving a modern touch to an already realistic flame.

The fireplace version of the Arc Trim can be used without an Outer Frame, as shown above, or with an Outer Frame as shown on page 25.

Arc Trim finishes Fireplace & Hole in the Wall models:

Lacquered Brushed Stainless, Noir, Phosphorus



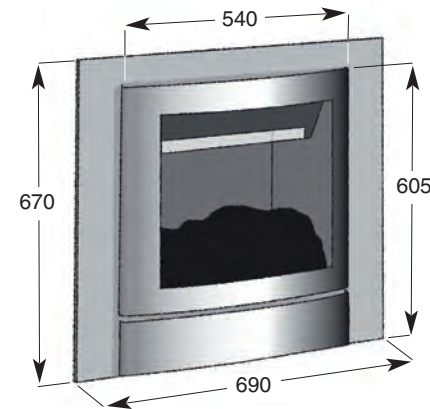
Energis Hotbox Hole in the Wall with Lacquered Brushed Stainless Arc Trim and Lacquered Brushed Stainless Outer Frame

Outer Frame finishes for Arc Trim Fireplace & Hole in the Wall models:

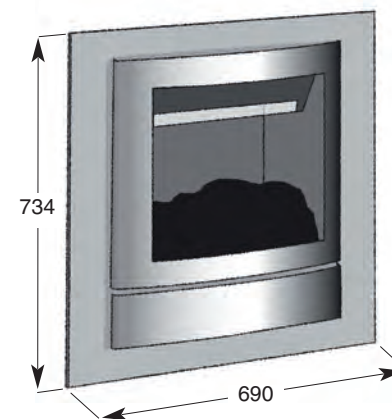
Lacquered Brushed Stainless, Satin Black

Energis Hotbox

Arc Trim



Fireplace model



Hole in the Wall model

Measurements of visible parts only are shown. For further measurements please see page 19.

Efficiency 67.9%

Open Fronted

Energis **Ultra**





Energis Ultra convector with Brushed Stainless Flat frame and Novello Brushed fret

The Energis Ultra convector has an efficiency of 77% and heat output of 4.82kW, which are phenomenal figures for an open fronted fire. The fact that we have accomplished this without compromise to the classic styling of the fire is another achievement altogether. With a superb choice of frames, frets and finishes the Energis Ultra can be configured to complement any style of room.

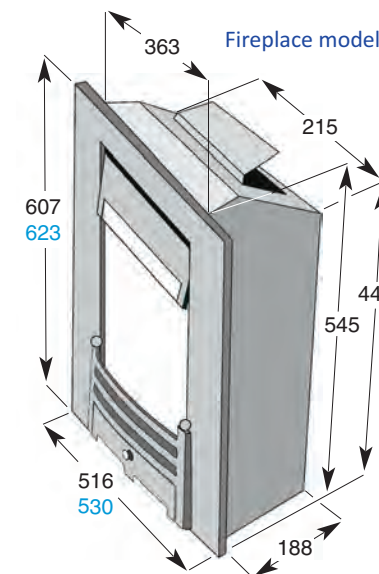
3 Sided frame finishes Fireplace models only:

Choose from **Flat**, **Silhouette** or **Cast** styles, in a choice of beautiful finishes. See pages 54 and 55 for the full frame and fret selection.

Energis Ultra



Energis Ultra with Brass Flat frame and Lyric Antique fret



Flat frame,
Silhouette frame &
Contemporary Trim
sizes shown in black
Cast frame sizes
shown in blue

Efficiency 77%

Open Fronted

Energis Ultra

Contemporary Trim OPEN FRONTED

CONTROLS

Manual, 2 Button High Level,
3 Button Fully Sequential High Level
or Fully Sequential Remote Control

New - Slide Control (Not available on
Cast frame or Arc models)

EFFICIENCY

Efficiency Class 1
77.0% Net (Natural Gas)
Energy Efficiency Class E

Efficiency Class 1
77.0% Net (Propane)
Energy Efficiency Class E

HEAT OUTPUT

4.82kW (Natural Gas)
4.81kW (Propane)

VENTILATION

Not normally
required

INTERIOR

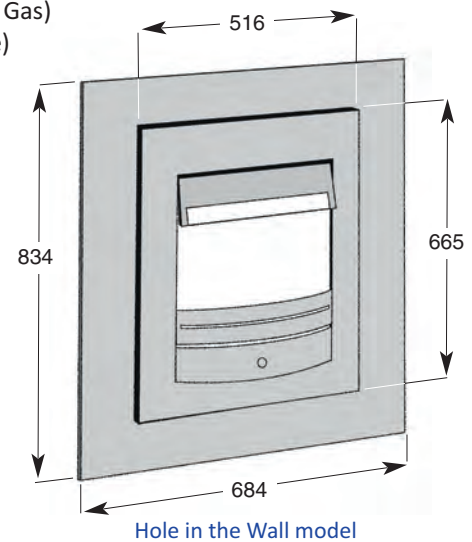
Plain black

FUEL BED

Coal effect
Coal and Coke flame
settings available on
Natural Gas models

FLUE TYPES

Class 1 or 2,
Pre-Cast



Hole in the Wall Energis Ultra with Lacquered Brushed Stainless Contemporary Trim and Satin Black Outer Frame

Contemporary Trim finishes

Fireplace & Hole in the Wall models:

Brushed Stainless, Lacquered Brushed Stainless, Satin Black,
Holographic Black, Antique Gold, Gun Metal

Outer Frame finishes for Contemporary Trim

Hole in the Wall models:

Lacquered Brushed Stainless, Satin Black, Holographic Black, Marfil Stone, Gun Metal
Size 684 x 834



Energis Ultra with Lacquered Brushed Stainless Contemporary Trim



Energis Ultra with Noir Arc Trim and Satin Black Outer Frame

Available for use with a fireplace or as a Hole in the Wall feature, the Nu-Flame Arc Trim comes in a choice of finishes enabling you to create a perfect complement to your home. When fitted in a fireplace the Arc Trim can be used with an Outer Frame, as shown above, or without an Outer Frame as shown on page 21.

When used with one of our high efficiency open fronted fires, the flawless lines of the Arc Trim will bring sophistication and warmth to any room, making it the ultimate place to relax.

Arc Trim finishes Fireplace & Hole in the Wall models:
Lacquered Brushed Stainless, Noir, Phosphorus

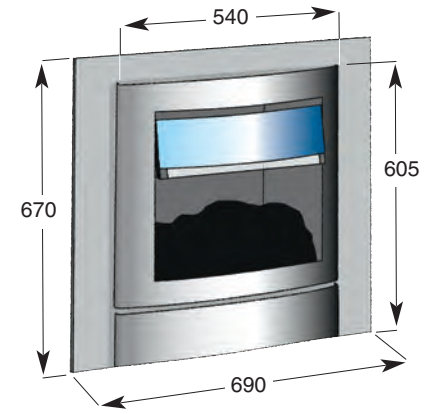
Outer Frame finishes for Arc Trim Fireplace & Hole in the Wall models:
Lacquered Brushed Stainless, Satin Black



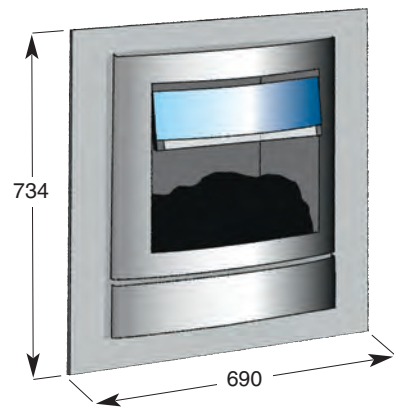
Energis Ultra Hole in the Wall with Lacquered Brushed Stainless Arc Trim and Satin Black Outer Frame

Energis Ultra

Arc Trim



Fireplace model



Hole in the Wall model

Measurements of visible parts only are shown. For further measurements please see page 23.

Open Fronted Efficiency 77%

Energis **Slimline Ultra**



Energis Slimline Ultra



Energis Slimline Ultra with Black/Brushed Silhouette frame and Traditional Brushed/Black fret

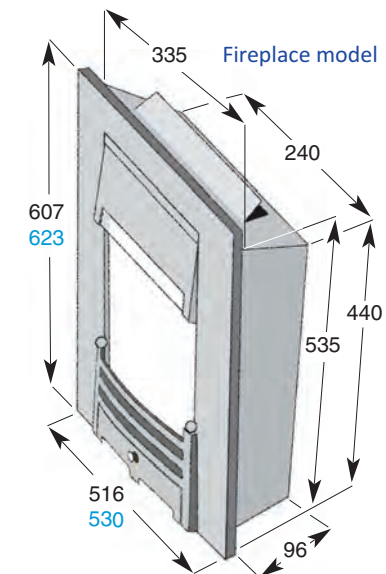


Energis Slimline Ultra with Brushed Stainless Flat frame and Lyric Brushed fret

Transform your home to create something special with our Energis Slimline Ultra. A completely open fronted fire that boasts an impressive net efficiency of 71.6% with an elegant and graceful flame pattern. Our impressive design allows the Energis Slimline Ultra to look surprisingly deep for a slim fire. With a heat output of 4.48kW, it's a smart solution!

3 Sided frame finishes **Fireplace models only:**

Choose from **Flat**, **Silhouette** or **Cast** styles, in a choice of beautiful finishes. See pages 54 and 55 for the full frame and fret selection.



Flat frame,
Silhouette frame &
Contemporary Trim
sizes shown in black
Cast frame sizes
shown in blue

Efficiency 71.6%

Open Fronted



Energis Slimline Ultra with Lacquered Brushed Stainless Contemporary Trim

Contemporary Trim finishes

Fireplace & Hole in the Wall models:

Brushed Stainless, Lacquered Brushed Stainless, Satin Black, Holographic Black, Antique Gold, Gun Metal

Outer Frame finishes for Contemporary Trim

Hole in the Wall models:

Lacquered Brushed Stainless, Satin Black, Holographic Black, Marfil Stone, Gun Metal
Size 684 x 834

Energis Slimline Ultra

Contemporary Trim

OPEN FRONTED

CONTROLS

Manual, 2 Button High Level,
3 Button Fully Sequential High Level
or Fully Sequential Remote Control

New - Slide Control (Not available on
Cast frame or Arc models)

EFFICIENCY

Efficiency Class 1
71.6% Net (Natural Gas)
Energy Efficiency Class F

Efficiency Class 1
74.5% Net (Propane)
Energy Efficiency Class E

HEAT OUTPUT

4.48kW (Natural Gas)
4.66kW (Propane)

VENTILATION

Not normally
required

INTERIOR

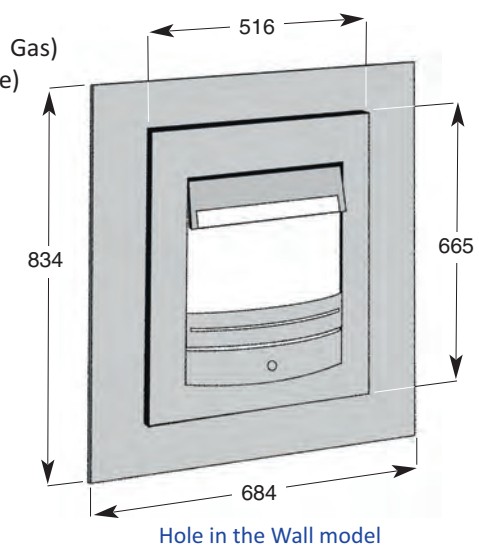
Plain black

FUEL BED

Coal effect
Coal and Coke flame
settings on Natural
Gas models

FLUE TYPES

Class 1 or 2,
Pre-Cast



Measurements of visible parts only are shown. For further
measurements or for fireplace model see page 27.



Energis Slimline Ultra Hole in the Wall with Noir Arc Trim and Satin Black Outer Frame

Our high quality Arc Trim is clean, simple and stunning. Couple this with the amazingly efficient and visually realistic Energis Slimline Ultra and you have harmony.

Contemporary looks, traditional values and a world leading fire that fits virtually every flue type, the Energis Slimline Ultra with the Arc Trim could just be the fire for you!

The fireplace version of the Arc Trim can be used without an Outer Frame, as shown on the right, or with an Outer Frame as shown on page 25.

Arc Trim finishes Fireplace & Hole in the Wall models:

Lacquered Brushed Stainless, Noir, Phosphorus

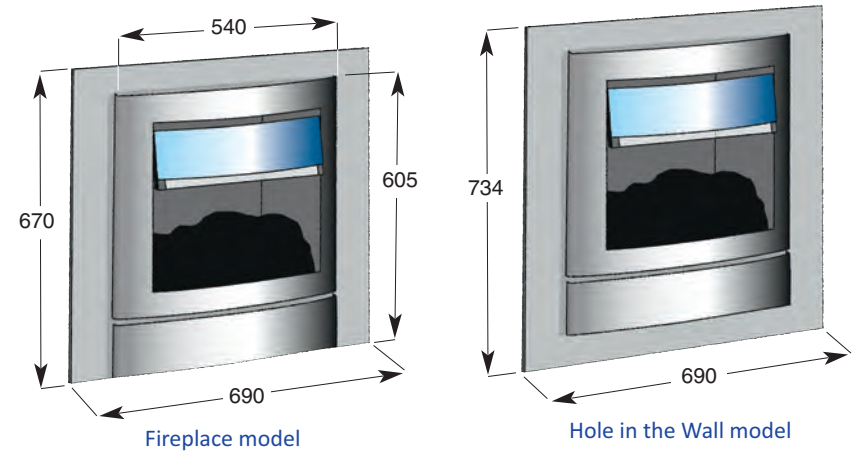
Outer Frame finishes for Arc Trim Fireplace & Hole in the Wall models:

Lacquered Brushed Stainless, Satin Black

Energis Slimline Ultra with Lacquered Brushed Stainless Arc Trim

Energis Slimline Ultra

Arc Trim



Measurements of visible parts only are shown. For further measurements please see page 27.



Efficiency 71.6%

Open Fronted

Energis Vista+





Energis Vista+ with Polished Stainless Flat frame and Novello Chrome fret

The World's Most Efficient Open Fronted Fuel Effect Fire

The Energis Vista+ has redefined open fronted fuel effect efficiency and style. The efficiency of 78.6% and heat output of 4.92kW was previously thought to be unattainable on an open fronted fire, but Nu-Flame isn't the kind of company to let its design and development be reined in by narrow thinking. With a wide choice of the highest quality frames and frets the Energis Vista+ gives you elegance, beauty and state of the art technology, all in perfect harmony. Perfection without compromise.

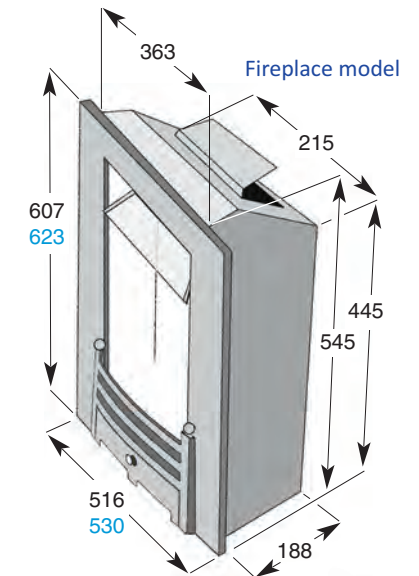
3 Sided frame finishes **Fireplace models only:**

Choose from **Flat**, **Silhouette** or **Cast** styles, in a choice of beautiful finishes. See pages 54 and 55 for the full frame and fret selection.

Energis Vista+



Energis Vista+ with Black/Brass Silhouette frame and Traditional Antique/Black fret



Flat frame,
Silhouette frame &
Contemporary Trim
sizes shown in black
Cast frame sizes
shown in blue

Efficiency 78.6%

Open Fronted



Energis Vista+ with Satin Black Contemporary Trim

Contemporary Trim finishes

Fireplace & Hole in the Wall models:

Brushed Stainless, Lacquered Brushed Stainless, Satin Black, Holographic Black, Antique Gold, Gun Metal

Outer Frame finishes for Contemporary Trim

Hole in the Wall models:

Lacquered Brushed Stainless, Satin Black, Holographic Black, Marfil Stone, Gun Metal

Size 684 x 834

Energis Vista+

Contemporary Trim OPEN FRONTED

CONTROLS

Manual, 2 Button High Level,
3 Button Fully Sequential High Level or Fully
Sequential Remote Control

New - Slide Control (Not available on
Cast frame or Arc models)

EFFICIENCY

Efficiency Class 1
78.6% Net (Natural Gas)
Energy Efficiency Class E

Efficiency Class 1
78.4% Net (Propane)
Energy Efficiency Class E

HEAT OUTPUT

4.92kW (Natural Gas)
4.80kW (Propane)

VENTILATION

Not normally
required

INTERIOR

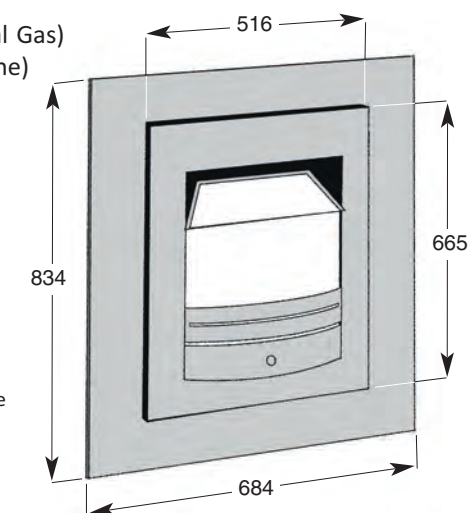
Plain black

FUEL BED

Coal effect
Coal and Coke flame
settings on Natural
Gas models

FLUE TYPES

Class 1 or 2,
Pre-Cast

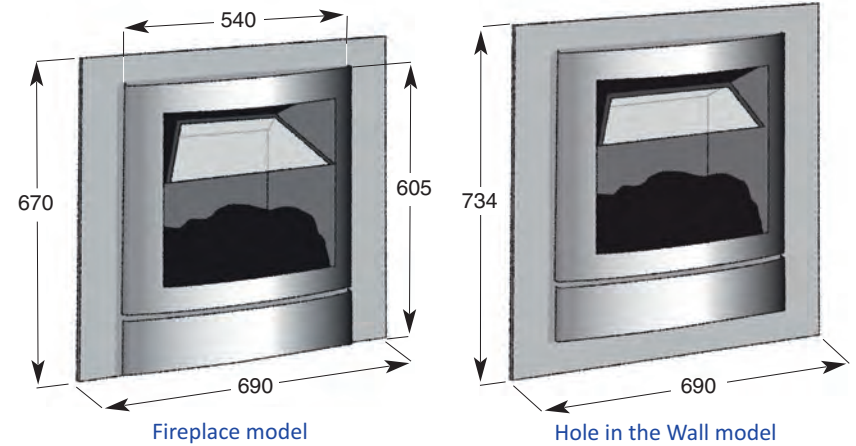


Hole in the Wall model

Measurements of visible parts only are shown. For further
measurements or for fireplace model see page 31.



Energis Vista+ Arc Trim



Measurements of visible parts only are shown. For further measurements please see page 31.

Energis Vista+ Hole in the Wall with Phosphorus Arc Trim and Lacquered Brushed Stainless Outer Frame

With its revolutionary Vu-Tech glass canopy the Energis Vista+ provides maximum visibility of the glowing fuel bed and flames. When used with our Arc Trim in a fireplace you can achieve the traditional look combined with a very modern twist.

The fireplace version of the Arc Trim can be used without an Outer Frame, as shown on the right, or with an Outer Frame as shown on page 25.

Arc Trim finishes Fireplace & Hole in the Wall models:

Lacquered Brushed Stainless, Noir, Phosphorus

Outer Frame finishes for Arc Trim Fireplace & Hole in the Wall models:

Lacquered Brushed Stainless, Satin Black



Energis Vista+ with Lacquered Brushed Stainless Arc Trim

Efficiency 78.6%

Open Fronted

Energis Slimline Vista+





Energis Slimline Vista+ with Brass Flat frame and Novello Antique fret

The Energis Slimline Vista+, creative thinking for inspired living. Our Energis Vista+ range has redefined open fronted fuel effect efficiency and style, giving a sophisticated edge and a touch of luxury. Get the glow and bring your home to life. Available with a wide choice of the highest quality frames and frets to create a focal point for your home. Demand more from your fire, with a net efficiency of 73.7%, the Energis Slimline Vista+ makes no compromise on heat.

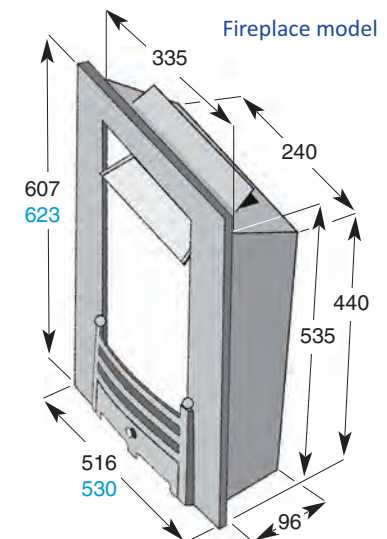
3 Sided frame finishes Fireplace models only:

Choose from **Flat**, **Silhouette** or **Cast** styles, in a choice of beautiful finishes. See pages 54 and 55 for the full frame and fret selection.

Energis Slimline Vista+



Energis Slimline Vista+ with Satin Black Flat frame and Lyric Black fret



Flat frame,
Silhouette frame &
Contemporary Trim
sizes shown in black
Cast frame sizes
shown in blue

Efficiency 73.7%

Open Fronted



Energis Slimline Vista+ with Lacquered Brushed Contemporary Trim

Contemporary Trim finishes

Fireplace & Hole in the Wall models:

Brushed Stainless, Lacquered Brushed Stainless, Satin Black, Holographic Black, Antique Gold, Gun Metal

Outer Frame finishes for Contemporary Trim

Hole in the Wall models:

Lacquered Brushed Stainless, Satin Black, Holographic Black, Marfil Stone, Gun Metal
Size 684 x 834

Energis Slimline Vista+

Contemporary Trim

OPEN FRONTED

CONTROLS

Manual, 2 Button High Level, 3 Button Fully Sequential High Level or Fully Sequential Remote Control

New - Slide Control (Not available on Cast frame or Arc models)

EFFICIENCY

Efficiency Class 1
73.7% Net (Natural Gas)
Energy Efficiency Class E

Efficiency Class 1
72.1% Net (Propane)
Energy Efficiency Class F

HEAT OUTPUT

4.61kW (Natural Gas)
4.32kW (Propane)

VENTILATION

Not normally required

INTERIOR

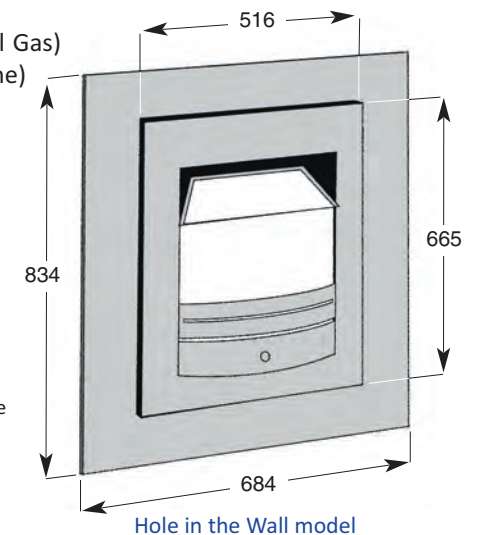
Plain black

FUEL BED

Coal effect
Coal and Coke flame settings on Natural Gas models

FLUE TYPES

Class 1 or 2,
Pre-Cast

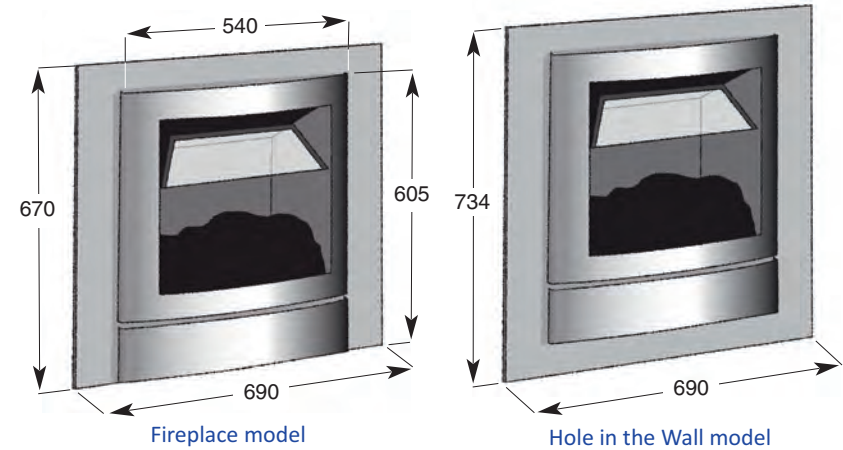


Measurements of visible parts only are shown. For further measurements or for fireplace model see page 35.



Energis Slimline Vista+

Arc Trim



Measurements of visible parts only are shown. For further measurements please see page 35.

Energis Slimline Vista+ Hole in the Wall with Lacquered Brushed Stainless Arc Trim and Lacquered Brushed Stainless Outer Frame

The Energis Slimline Vista+ hosts our revolutionary and inspirational Vu-Tech * canopy which allows the fuel bed and flames to be shown to their full effect, creating an image that is as revolutionary as it is stunning. When used in conjunction with our Arc Trim in the fireplace, you achieve a traditional feel with a modern touch.

The fireplace version of the Arc Trim can be used without an Outer Frame, as shown on the right, or with an Outer Frame as shown on page 25.

Arc Trim finishes **Fireplace & Hole in the Wall models:**

Lacquered Brushed Stainless, Noir, Phosphorus

Outer Frame finishes for Arc Trim **Fireplace & Hole in the Wall models:**

Lacquered Brushed Stainless, Satin Black



Energis Slimline Vista+ with Noir Arc Trim

Efficiency 73.7%

Open Fronted

Vitesse
Balanced Flue





Vitesse Balanced Flue Hole in the Wall model with Two-Tone Contemporary hooded Trim & Marfil Stone effect Outer Frame

For homes without a chimney but with a suitable outside wall, the Vitesse Balanced Flue is available with the same high quality frame and trim options as the Vitesse CF.



Vitesse Balanced Flue Fuel Bed
Please note that the Balanced Flue fuel bed is different to that of the CF model

*When used with Thermostatic Remote Control
All other Controls Class C

Vitesse Balanced Flue

Specification for all Vitesse Balanced Flue Models

GLASS FRONTED

CONTROLS

Manual, 2 Button High Level,
3 Button Fully Sequential High Level,
Fully Sequential Remote Control or
Thermostatic Remote Control

New - Slide Control (Not available on
Arc or Standen models)

EFFICIENCY

Efficiency Class 1
90% Net (Natural Gas)
Energy Efficiency Class B*

Efficiency Class 1
89.4% Net (Propane)
Energy Efficiency Class B*

HEAT OUTPUT

4.38kW (Natural Gas)
4.27kW (Propane)

VENTILATION

Not required

INTERIOR

Plain Black

FUEL BED

Coal or Pebble effect

BALANCED FLUE

Minimum flue length 93mm (minimum installation
depth 308mm**)

Maximum flue length 850mm (maximum installation
depth 1065mm**)

**Installation depth is from the face of the outside wall to the front
face of the back panel or mounting frame of the fire.



Vitesse Balanced Flue with Two-Tone Modern louvred Trim

With its clean lines the Modern Trim, shown above, features a flat ashpan cover and open louvres above the flames. The Contemporary Trim, shown to the right, features an elegant bowed ashpan cover and a hood above the viewing glass. Both of these trims are available as Hole in the Wall models.

Finishes available for Vitesse Fireplace and Hole in the Wall models:

Modern Trim (Flat):

Brushed Stainless, Two-Tone, Satin Black

Contemporary Trim (Curved):

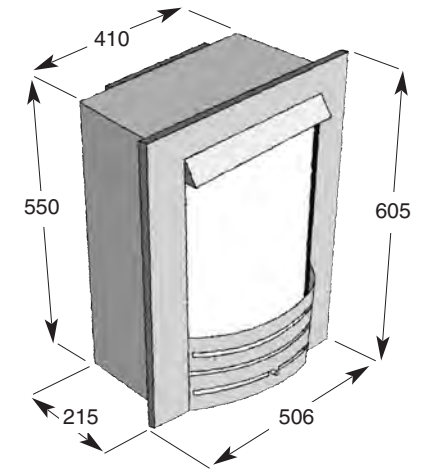
Brushed Stainless, Two-Tone, Satin Black, Antique Gold, Gun Metal

Outer Frame finishes - Hole in the Wall models:

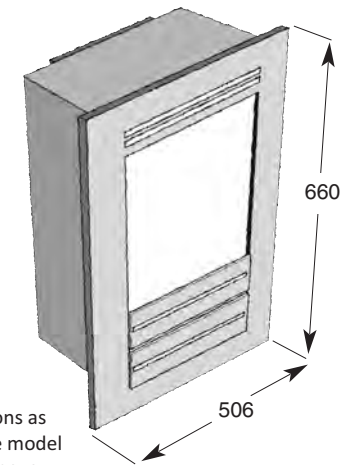
Lacquered Brushed Stainless, Satin Black, Holographic Black, Marfil Stone, Gun Metal
Size 684 x 834



Vitesse Balanced Flue with Satin Black Contemporary hooded Trim



Fireplace model



All other dimensions as Fireplace model shown above

Hole in the Wall model



Vitesse Balanced Flue Royale with Satin Black hooded frame, Black/Brass Silhouette Trim and Traditional Brass/Black fret



Vitesse Balanced Flue Royale with Satin Black hooded frame, Flat Brass Trim and Horizon Black fret

Vitesse Balanced Flue Royale with Brushed Stainless hooded frame and Horizon Satin Steel fret



Vitesse Balanced Flue Royale with Satin Black hooded frame, Flat Brass Trim and Horizon Antique fret



Vitesse Balanced Flue Royale with Satin Black louvered frame, Flat Polished Stainless Trim, and 18" Traditional Chrome/Black fret.

The Vitesse Balanced Flue Royale offers a wide range of colours, finishes and frets. It is ideal for homes without a chimney, but with a suitable external wall, where style and design are as important as efficiency and high heat output.

Frame options:

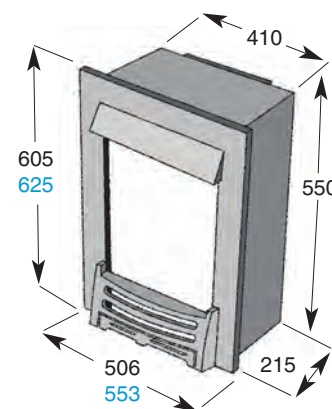
Brushed Stainless frame, Satin Black frame
Choice of open louvres or built-in hood above the viewing window

Optional Trims (to go over Satin Black frame):

Black/Brushed Stainless Silhouette Trim, Black/Polished Stainless Silhouette Trim, Black/Brass Silhouette Trim, Polished Stainless Flat Trim, Brass Flat Trim

Frets (to suit The Vitesse Balanced Flue Royale)

Horizon Chrome, Horizon Brushed, Horizon Antique, Horizon Black, Traditional Brass/Black (18"), Traditional Chrome/Black (18")



Fireplace model

Flat frame dimensions shown in black
Optional Silhouette Trim and Flat Trim dimensions shown in blue

Efficiency 90%

Glass Fronted



Vitesse Balanced Flue with Phosphorus Arc Trim

Our Arc Trim is designed to impress and is engineered to the highest standards. When used with our high efficiency Vitesse Balanced Flue the flawless lines of the Arc Trim will bring sophistication and warmth to any room, making it the ultimate place to relax.

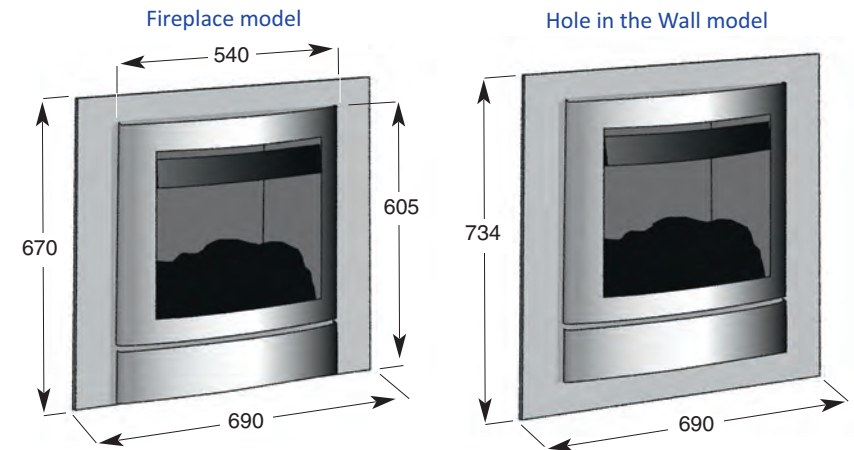
The fireplace version of the Arc Trim can be used without an Outer Frame, as shown above, or with an Outer Frame as shown on page 25.

Arc Trim finishes Fireplace & Hole in the Wall models:
Lacquered Brushed Stainless, Noir, Phosphorus

Outer Frame finishes for Arc Trim Fireplace & Hole in the Wall models:
Lacquered Brushed Stainless, Satin Black

Vitesse Balanced Flue Arc Trim

Measurements of visible parts only are shown. For further measurements please see page 40.





Vitesse Balanced Flue Standen Inset Stove with Chrome Plated handle

Reduced running costs with greater efficiency! The beautifully crafted Vitesse Balanced Flue Standen Inset Stove boasts a superb 90% efficiency, and with no reliance on electricity, peace of mind comes as standard.

Its clean, modern design gives the look of a contemporary inset stove but with all the ease, controllability and cleanliness of a modern gas fire.

A special feature of the Vitesse Balanced Flue range is the availability of an 850mm long flue. In addition to catering for extra deep wall installations the optional extra-long flue opens up the possibility of bringing the beauty of flame back to a fireplace with an unusable chimney (subject to the fireplace being on an outside wall).

Vitesse

Balanced Flue

Standen Inset Stove

FINISH

Textured Jet Black

HANDLES

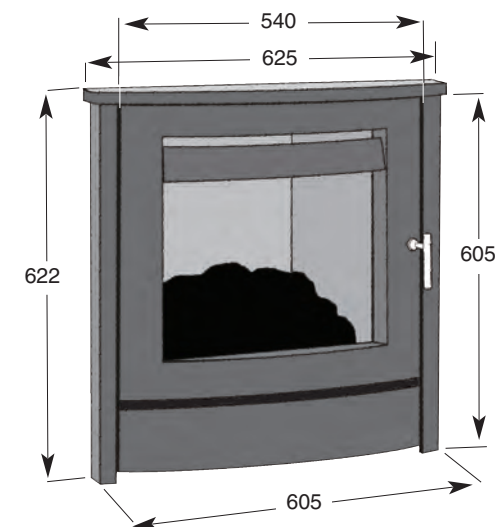
Chrome Plated or
Black

FUEL BED

Coal or Pebble effect

CONTROL OPTIONS

Manual, 2 Button High Level,
3 Button Fully Sequential High Level
or Fully Sequential Remote Control



Measurements of visible parts only are shown.
For further measurements please see page 41.

Veo Balanced Flue *Slimline*





Veo Balanced Flue with Satin Black Modern louvred frame, Black/Brass Silhouette Trim and Coal fuel bed



Dark Log Fuel Bed



Coal Fuel Bed



Silver Birch Fuel Bed

Patent pending

Veo Balanced Flue Slimline

Specification for all Veo Balanced Flue Models

GLASS FRONTED

CONTROLS

Manual, 3 Button Fully Sequential High Level, Fully Sequential Remote Control or Thermostatic Remote Control

New - Slide Control (Not available on Arc or Standen models)

EFFICIENCY

Efficiency Class 1
87.6% Net (Natural Gas)
Energy Efficiency Class C*

Efficiency Class 1
87% Net (Propane)
Energy Efficiency Class C*

HEAT OUTPUT

3.4kW (Natural Gas)
3.26kW (Propane)

VENTILATION

Not required

INTERIOR

Plain Black or Reflective Black Glass

FUEL BED

Coal, Dark Log or Silver Birch effect

BALANCED FLUE

Minimum flue length 93mm (minimum installation depth 253mm**)

Maximum flue length 500mm (maximum installation depth 660mm**)

* When used with Thermostatic Remote Control
All other controls Class D

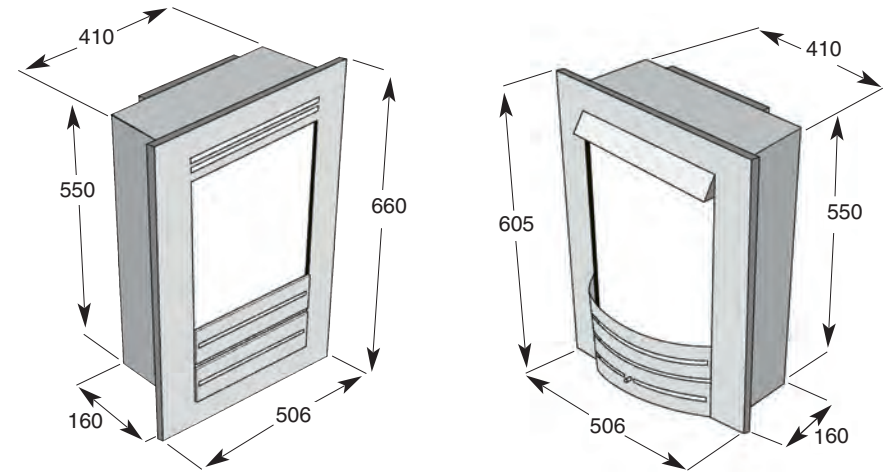
**Installation depth is from the face of the outside wall to the front face of the back panel or mounting frame of the fire.

Efficiency 87.6%
Glass Fronted



Veo Balanced Flue Slimline

Modern & Contemporary Trim



Veo Balanced Flue Hole in the Wall model with Satin Black Modern louvred Trim, Marfil Stone effect Outer Frame and Coal fuel bed

With its clean lines the slimline Veo Balanced Flue with Modern Trim, shown above, features a flat ashpan cover and discreet louvres above the viewing window. The Contemporary Trim, shown to the right, features an elegant bowed ashpan cover with a neatly designed built-in hood above the viewing glass. Both the Modern and Contemporary Trims are available for fireplace or Hole in the Wall applications.

Finishes available for Veo Fireplace and Hole in the Wall models:

Modern Trim (Flat):

Brushed Stainless, Two-Tone, Satin Black

Contemporary Trim (Curved):

Brushed Stainless, Two-Tone, Satin Black, Antique Gold, Gun Metal

Outer Frame finishes - Hole in the Wall models:

Lacquered Brushed Stainless, Satin Black, Holographic Black, Marfil Stone, Gun Metal

Size 684 x 834

Veo Balanced Flue with Two-Tone Contemporary hooded Trim, Reflective Black Glass lining and Silver Birch fuel effect





Veo Balanced Flue Royale with Satin Black hooded Frame, Black/Polished Stainless Silhouette Trim, Traditional Chrome/Black fret



Veo Balanced Flue Royale with Satin Black hooded Frame, Brass Flat Trim and Horizon Antique fret



Veo Balanced Flue Royale with Satin Black hooded Frame, Polished Stainless Flat Trim and Horizon Chrome fret



Veo Balanced Flue Royale with Satin Black louvred Frame Black/Brass Silhouette Trim, Traditional Brass/Black fret, Reflective Black Glass lining and Dark Log fuel effect



Veo Balanced Flue Royale with Satin Black louvred Frame, Polished Stainless Flat Trim and Traditional Chrome/Black fret

For homes without a chimney, but with a suitable external wall, the slimline Veo Balanced Flue Royale offers glass fronted efficiency with a wide range of fret and frame options. Versatility and flair combining effortlessly!

Frame options:

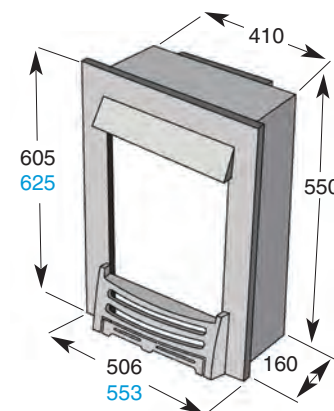
Brushed Stainless frame, Satin Black frame
Choice of open louvres or built-in hood above the viewing window

Optional Trims (to go over Satin Black frame):

Black/Brushed Stainless Silhouette Trim, Black/Polished Stainless Silhouette Trim, Black/Brass Silhouette Trim, Polished Stainless Flat Trim, Brass Flat Trim

Frets (to suit the Veo Balanced Flue Royale)

Horizon Chrome, Horizon Brushed, Horizon Antique, Horizon Black, Traditional Brass/Black (18"), Traditional Chrome/Black (18")



Fireplace model

Flat frame dimensions shown in black
Optional Silhouette Trim and Flat Trim dimensions shown in blue

Efficiency 87.6%

Glass Fronted



Veo Balanced Flue with Noir Arc Trim and Coal fuel bed

Designed to impress and engineered to the highest standards, the slimline Veo Balanced Flue with Arc Trim offers a modern touch while retaining a traditional feel. The Fireplace version, as shown above, can be installed with or without any of our optional outer frames.

The Hole in the Wall version must always be installed with one of our outer frame options or a set of granite, marble or stone slips.

Arc Trim finishes Fireplace & Hole in the Wall models:

Lacquered Brushed Stainless, Noir, Phosphorus

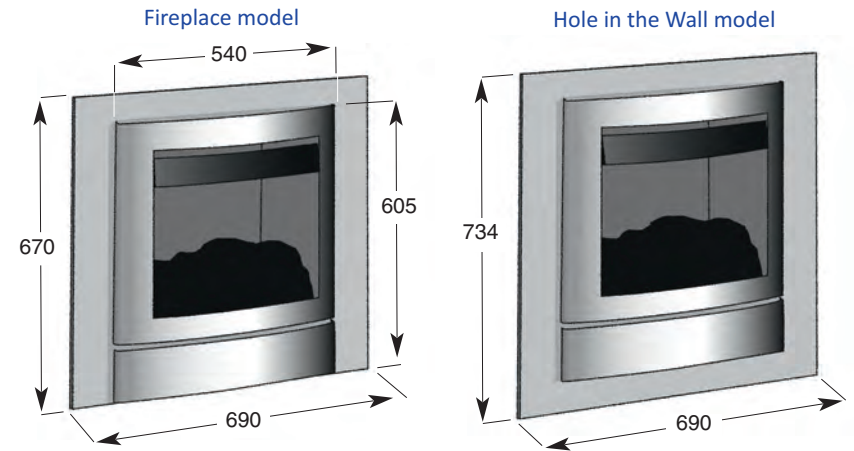
Outer Frame finishes for Arc Trim Fireplace & Hole in the Wall models:

Lacquered Brushed Stainless, Satin Black

Veo Balanced Flue Slimline

Arc Trim

Measurements of visible parts only are shown. For further measurements please see page 46.



Veo Balanced Flue Hole in the Wall model with Lacquered Brushed Stainless Arc Trim, Satin Black Outer Frame and Silver Birch fuel bed



Veo Balanced Flue with Standen Inset Stove Frame, Chrome Plated Handle and Dark Log fuel effect

With its clean modern design the slimline Veo Balanced Flue Standen Inset Stove achieves the look and feel of a contemporary inset stove but with all the ease, controllability and cleanliness of a modern, efficient gas fire.

Reduced running costs with greater efficiency and an impressive heat output! All without having to constantly load the stove!

Veo Balanced Flue Slimline

Standen Inset Stove

FINISH

Textured Jet Black

HANDLES

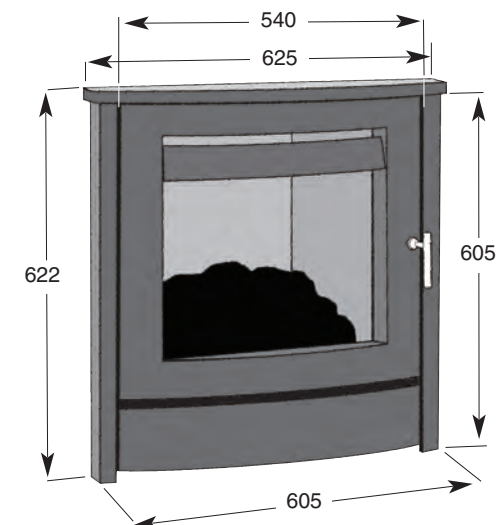
Chrome Plated or
Black

FUEL BED

Coal, Dark Logs or Silver Birch Effect

CONTROL OPTIONS

Manual, 3 Button Fully Sequential High Level,
Fully Sequential Remote Control or Thermostatic
Remote Control



Measurements of visible parts only are shown.
For further measurements please see page 46.

Efficiency 87.6%

Glass Fronted

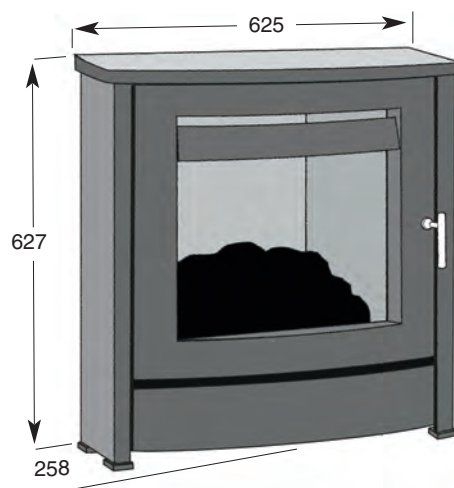
Fenton Balanced Flue ***Outlet Stove***



Fenton Balanced Flue Outlet Stove with Chrome Plated Handle, Reflective Black Glass lining and Silver Birch fuel effect



The Fenton Balanced Flue brings a new dimension to the Nu-Flame range. Standing proudly on any suitable hearth, the Fenton Balanced Flue has the option of three stunning fuel beds: Coals, Dark Log or Silver Birch effect. For even greater visual depth and realism it is possible to upgrade from the standard black ceramic lining to our new reflective black glass lining. Whatever chosen option, the Fenton Balanced Flue will turn any house into a home!



FINISH
Textured Jet Black

HANDLES
Chrome Plated or Black



Dark Log Fuel Bed



Coal Fuel Bed



Silver Birch Fuel Bed

Fenton Balanced Flue Outset Stove

GLASS FRONTED

CONTROLS

Manual, Fully Sequential Remote Control
or Thermostatic Remote Control

EFFICIENCY

Efficiency Class 1
87.6% Net (Natural Gas)
Energy Efficiency Class C*

Efficiency Class 1
87% Net (Propane)
Energy Efficiency Class C*

HEAT OUTPUT

3.4kW (Natural Gas)
3.26kW (Propane)

VENTILATION

Not required

INTERIOR

Plain Black or Reflective Black Glass

FUEL BED

Coal, Dark Log or Silver Birch effect

BALANCED FLUE

Minimum flue length 93mm (minimum installation depth 93mm**)

Maximum flue length 500mm (maximum installation depth 500mm**)

Patent pending

* When used with Thermostatic Remote Control
All other controls Class D

**Installation depth is from the face of the outside wall to the front face of the back panel or mounting frame of the fire.

Evolution Plus Burners

Tapered Inset Fires

The Evolution Plus inset gas fire from Nu-Flame offers stunning realism, capturing the timeless look of a real fire with all the benefits of clean fuel and a choice of convenient control options.

A high leg version is available for use with many Victorian cast inserts.

Whether with loose random ceramic coals or any of the optional fuel beds, manual or full remote control, the Evolution Plus will bring any fireplace to life.

SIZE

16" or 18"

CONTROLS

Manual, Fully Sequential Wall Switch or Fully Sequential Remote Control

EFFECTS

Coal, Log, Driftwood or Pebble

GAS TYPE

Natural Gas or Propane

FLUE TYPES

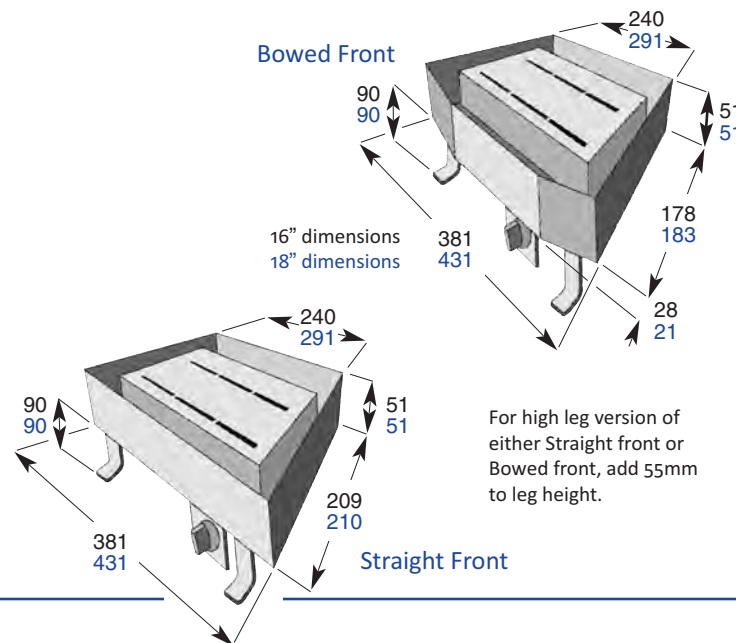
16" and 18" - 6.9kW input Class 1 or 2
18" - 9.3kW input - Class 1 only

VENTILATION

Not normally required on 6.9kW models



16" Tapered Inset burner, with Traditional Antique/Black fret



Made to Measure Fires

From hob grates to fire baskets, from arched cast inserts to contemporary sunken burners, our made to measure service can fulfil almost any requirement. All made to measure fires can be offered with a range of control options and the full range of our fuel beds, allowing you to create exactly the right fire, whatever your needs.

CONTROLS

Manual, Fully Sequential Wall Switch or Fully Sequential Remote Control

EFFECTS

Coal, Log, Driftwood, Pebble or Crushed Rock

GAS TYPE

Natural Gas or Propane

FLUE TYPES

Class 1 or 2 subject to size.
Please consult your dealer

VENTILATION

Not normally required on smaller models





F720 Fireboxx with Log fuel effect shown in custom made fireplace

Available in 3 sizes the Fireboxx Burner is designed to enable your Nu-Flame stockist to create a Hole in the Wall fireplace to your own design. A stunning centrepiece in either modern or traditional style, minimalism or an outrageous statement; the choice is very much up to you. From the simplicity of a pure dancing flame to the glow of a log fuel bed or even the contemporary styling of pebbles or driftwood.

Our decorative fire ranges (Evolution Plus and Fireboxx) have a 1 year parts and labour guarantee from the date of purchase.

CONTROLS

Fully Sequential Remote Control as standard

EFFECTS

Supplied with Crushed Rock firebed as standard. Optional Log, Driftwood or Pebble effects also available

GAS TYPE

F350 Natural Gas Only
F500 and **F720** Natural Gas or Propane

The Fireboxx Burner

FLUE TYPES

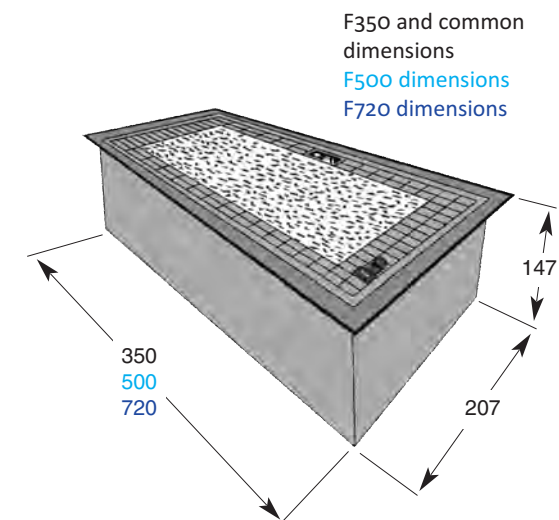
F350 & F500 Class 1 or 2
 F720 Class 1 only

VENTILATION

Not normally required on models F350 & F500

FINISHES

Satin Black or Marfil Stone

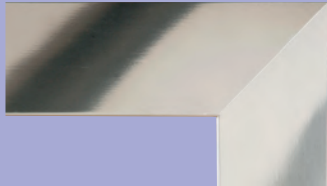


Frames

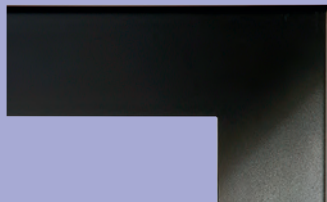
FLAT



Brushed Stainless



Polished Stainless



Satin Black



Brass

SILHOUETTE



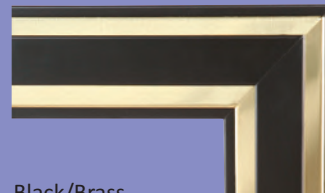
Black/Brushed Stainless



Black/Polished Stainless



Black/Black Nickel



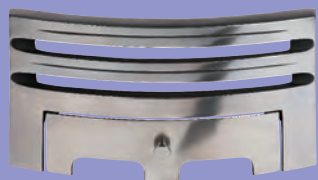
Black/Brass

CAST

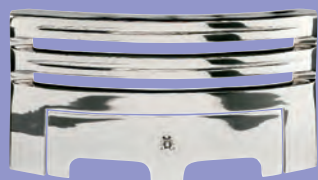


Black/Chrome

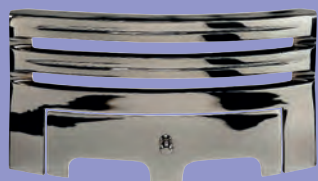
NOVELLO 16"



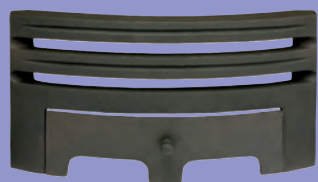
Novello Brushed



Novello Chrome



Novello Black Nickel

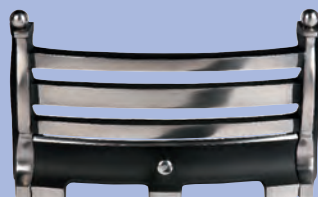


Novello Black



Novello Antique

TRADITIONAL 16"



Traditional Brushed/Black



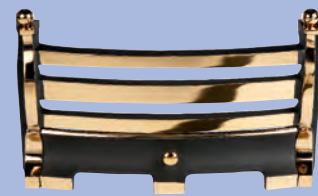
Traditional Chrome/Black



Traditional Black Nickel



Traditional Black



Traditional Antique/Black

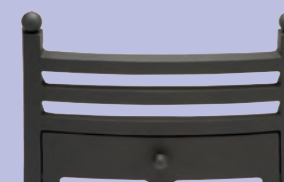
LYRIC 16"



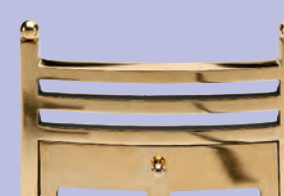
Lyric Brushed



Lyric Chrome



Lyric Black



Lyric Antique

Due to the diversity of materials and processes used in manufacturing of cast Frets we cannot guarantee exact colour matches. Please note these frets are not suitable for use with the Vitesse or Veo Royale.

Technical Information

	Vitesse CF		Veo CF		Fenton CF		Energis Hotbox		Energis Ultra	
Model	VTCFN	VTCFL	VOCFN	VOCFL	FCFN	FCFL	EHN	EHL	EUN	EUL
Gas Type	Nat.Gas	Propane	Nat.Gas	Propane	Nat.Gas	Propane	Nat.Gas	Propane	Nat.Gas	Propane
Control Options	Manual, Slide*, 2 Button HL, 3 Button HL, Remote Control		Manual, Slide*, 3 Button HL, Remote Control, Thermostatic		Manual, Remote Control, Thermostatic		Manual, Slide*, 2 Button HL, 3 Button HL, Remote Control		Manual, Slide*, 2 Button HL, 3 Button HL, Remote Control	
Ventilation Required	No*		No*		No*		No*		No*	
Flue Types	Class 1 & 2 Flues & Pre-Cast Flue†		Class 1 & 2 Flues & Pre-Cast Flue†		Class 1 & 2 Flues & Pre-Cast Flue†		Class 1 & 2 Flues & Pre-Cast Flue†		Class 1 & 2 Flues & Pre-Cast Flue†	
Fuel Bed	Coal		Coal, Dark Log, Silver Birch		Coal, Dark Log, Silver Birch		Coal		Coal	
Efficiency Class	Class 1	Class 1	Class 1	Class 1	Class 1	Class 1	Class 2	Class 2	Class 1	Class 1
Efficiency	88%	86.4%	84.9%	85.6%	84.9%	85.6%	67.9%	67.2%	77.0%	77.0%
Energy Efficiency Class	C	D	C*	C*	C*	C*	F	F	E	E
Max Input Net	5.04kW	4.83kW	4.5kW	4.35kW	4.5kW	4.35kW	6.26kW	6.25kW	6.26kW	6.25kW
Min Input Net	1.8kW	1.84kW	2.5kW	2.5kW	2.5kW	2.5kW	2.4kW	2.0kW	2.4kW	2.0kW
Max Heat Output	4.44kW	4.17kW	3.82kW	3.72kW	3.82kW	3.72kW	4.25kW	4.25kW	4.82kW	4.81kW
Min Output	1.3kW	1.3kW	1.73kW	1.75kW	1.73kW	1.75kW	1.4kW	1.14kW	1.5kW	1.23kW

* Ventilation not normally required in the UK subject to a satisfactory flue test. For Balanced Flue models ventilation is not required. Please note that ventilation requirements shown are for the UK and might vary from country to country.

† Designed to fit into any pre-cast flue that is compliant with building regulations.

In all cases local installation requirements must be followed.

* When used with Thermostatic Remote Control. All other controls Class D.

* When used with Thermostatic Remote Control. All other controls Class C.

* Not available on all frame and trim options. See relevant page for full details.

We have made every effort to show the finishes as accurately as possible. Unfortunately, we cannot fully reflect the depth and quality of the finishes in print, nor can we guarantee exact colour matches. Your Nu-Flame stockist can show you swatches of the actual finishes used. Please refer to product pages for details of which finishes are available for which items.

In line with our policy of continual improvement, we reserve the right to modify specifications.

Technical Information

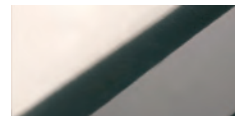
Energis Slimline Ultra		Energis Vista+		Energis Slimline Vista+		Vitesse Balanced Flue		Veo Balanced Flue		Fenton Balanced Flue	
ESUN	ESUL	EV+N	EV+L	ESV+N	ESV+L	VTBFN	VTBFL	VOBFN	VOBFL	FBFN	FBFL
Nat.Gas	Propane	Nat.Gas	Propane	Nat.Gas	Propane	Nat.Gas	Propane	Nat.Gas	Propane	Nat.Gas	Propane
Manual, Slide*, 2 Button HL, 3 Button HL, Remote Control		Manual, Slide*, 2 Button HL, 3 Button HL, Remote Control		Manual, Slide*, 2 Button HL, 3 Button HL, Remote Control		Manual, Slide*, 2 & 3 Button HL, Remote Control, Thermostatic		Manual, Slide*, 3 Button HL, Remote Control, Thermostatic		Manual, Remote Control, Thermostatic	
No*		No*		No*		No		No		No	
Class 1 & 2 Flues & Pre-Cast Flue†		Class 1 and 2 Flues & Pre-Cast Flue†		Class 1 and 2 Flues & Pre-Cast Flue†		Balanced Flue		Balanced Flue		Balanced Flue	
Coal		Coal		Coal		Coal, Pebble		Coal, Dark Log, Silver Birch		Coal, Dark Log, Silver Birch	
Class 1	Class 1	Class 1	Class 1	Class 1	Class 1	Class 1	Class 1	Class 1	Class 1	Class 1	Class 1
71.6%	74.5%	78.6%	78.4%	73.7%	72.1%	90%	89.4%	87.6%	87%	87.6%	87%
F	E	E	E	E	F	B*	B*	C*	C*	C*	C*
6.26kW	6.25kW	6.26kW	6.12kW	6.26kW	6.0kW	4.87kW	4.78kW	3.9kW	3.7kW	3.9kW	3.7kW
2.4kW	2.0kW	2.4kW	2.0kW	2.4kW	2.0kW	1.8kW	1.84kW	1.5kW	1.4kW	1.5kW	1.4kW
4.48kW	4.66kW	4.92kW	4.8kW	4.61kW	4.32kW	4.38kW	4.27kW	3.4kW	3.26kW	3.4kW	3.26kW
1.46kW	1.24kW	1.58kW	1.25kW	1.5kW	1.25kW	1.35kW	1.35kW	1.2kW	1.1kW	1.2kW	1.1kW



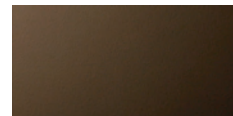
Marfil Stone



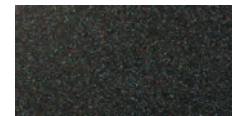
Antique Gold



Polished Stainless



Satin Black



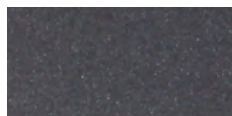
Holographic Black



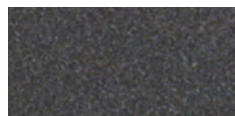
Phosphorus



Textured Jet Black



Noir



Gun Metal



Brushed Stainless



Brass



Lacquered Brushed Stainless

Technical Information

	Evolution Plus Tapered Inset						Evolution Plus Made to Measure		The Fireboxx Burner				
Model	16"NV	16"NV	18"NV	18"NV	18"Hi	18"Hi	Range of sizes	Range of sizes	F350N	F500N	F500L	F720N	F720L
Gas Type	Nat.Gas	Propane	Nat.Gas	Propane	Nat.Gas	Propane	Nat.Gas	Propane	Nat.Gas	Nat.Gas	Propane	Nat.Gas	Propane
Control Options	Manual, Wall Switch, Remote Control						Manual, Wall Switch, Remote Control		Remote Control				
Ventilation Required	No*	No*	No*	No*	Yes	Yes	Dependent on size		No*	No*	No*	Yes	Yes
Flue Types	Class 1 & 2 Flues				Class 1 Flue		Class 1 or 2 Flue dependent on size		Class 1 & 2 Flues			Class 1 Flue	
Fuel Bed	Coal, Log, Driftwood, Pebble						Coal, Log, Driftwood, Pebble, Crushed Rock		Crushed Rock, Log, Driftwood, Pebble				
Efficiency Class	Not Applicable						Not Applicable		Not Applicable				
Efficiency	Subject to installation characteristics						Subject to installation characteristics		Subject to installation characteristics				
Energy Efficiency Class	Not Applicable						Not Applicable		Not Applicable				
Max Input Net	6.9kW	6.1kW	6.9kW	6.1kW	9.3kW	8.0kW	Dependent on size		5.3kW	6.7kW	5.4kW	8.2kW	8.3kW
Min Input Net	3.5kW	3.0kW	3.5kW	3.0kW	3.75kW	3.5kW	Dependent on size		2.6kW	3.4kW	2.7kW	4.0kW	4.0kW
Max Heat Output	Decorative Fires						Decorative Fires		Decorative Fires				
Min Output													

The efficiency and output figures quoted in this brochure are the results of tests carried out under laboratory conditions by BSI or Kiwa, using the methodology and equipment as laid down in BS7977-1:2009+A1:2013 (except for Balanced Flue fires which are tested to BS EN 613). This enables customers to make a direct comparison between one manufacturer's independently verified figures and another. It also allows our figures to be used in the UK Government's Standard Assessment Procedure (SAP) for the Energy Rating of Dwellings. When installed in any given property the overall performance of any fire could be affected by the individual attributes of the installation such as room insulation, ventilation and the characteristics of the chimney etc.

* Ventilation not normally required in the UK subject to a satisfactory flue test.
Please note that ventilation requirements shown are for the UK and might vary from country to country.

In all cases, local installation requirements must be followed.

Control Options

The control options available vary depending on the type of fire ordered. Please refer to the product pages which detail the control options available for each fire.



Fully Sequential Remote Control

Powered by 4 standard AA batteries. As well as on/off and variable flame height control, our fully sequential system turns the pilot on and off when extinguishing the fire.



2 Button High Level Touch Control

After manually lighting the permanent pilot, the fire is easily controlled by two buttons housed within the fire frame. This battery powered control allows you to adjust the flame setting and switch to the pilot only setting, by simply pushing a button.



Fully Sequential Wall Switch

The above system can be supplied with a wall switch instead of a handset on our Evolution Plus, Made to Measure and Tapered Burner ranges.



3 Button Fully Sequential High Level Touch Control

As well as on/off and variable flame height our 3 Button High Level Touch Control turns the pilot on and off when extinguishing the fire.



Manual

The Manual control features a single action 'twist and ignite' control valve which establishes the pilot light and allows you to adjust the flame height.



Slide Control (Not available on Arc, Standen or Fenton models)

The easy to reach lever is situated towards the top right hand side of the fire frame and gives complete control of the fire operation.

Thermostatic Control (Vitesse BF, Veo CF, Veo BF, Fenton CF & Fenton BF only)



As well as providing the functionality of the Fully Sequential Remote Control the Thermostatic option allows you to pre-select temperature and timer programs on the handset. The system will then control the fire in order to provide the required heating to maintain a comfortable room temperature.

All electronic control systems are powered by AA batteries and do not need mains electricity.

Flue Types

Nu-Flame has fires to suit the various types of flue you are likely to have in your home.

Below are brief details. The photographs are a guide only to help identify the type of flue.

Your Nu-Flame stockist will give you further details.



Chimney - Class 1 Flue

All Nu-Flame fires are suitable for a conventional brick built chimney, subject to satisfactory flue test.



Pre-Fabricated - Class 1 & 2 Flues

A pre-fabricated flue is characterised by a metal pipe and terminal appearing through the roof. The majority of Nu-Flame fires are approved for installation with a pre-fabricated flue system, subject to a satisfactory flue test.



Balanced Flue

Nu-Flame balanced flue fires vent the products of combustion through a horizontal twin wall pipe, which terminates on an outside wall. This requires just a single hole to be drilled through the wall, and allows the use of a compact, neat looking terminal on the outside wall. If the flue terminal is easily accessible (e.g. adjoining a path) then a mesh terminal guard must be used.



Pre-Cast Flue

We have various fires suitable for use with any pre-cast flue that is compliant with building regulations. With some installations it might be necessary to have a deeper mantel rebate, or carry out other additional work. Your Nu-Flame stockist can advise you.



Nu-Flame Ltd

Unit 4, Kimpton Trade & Business Centre,
Minden Road, Sutton, Surrey, SM3 9PF

Tel : **020 8254 6802**

Fax: 020 8641 9992

Email : **sales@nu-flame.co.uk**

Web : **www.nu-flame.co.uk**